



JBI User's Guide

Apache ServiceMix
Version 4.4.0

1. Introduction to JBI

1.1. What is JBI?

TODO: Describe what the JBI specification is all about

1.2. Message Exchange Patterns

TODO: Describe the four standard JBI MEPs

1.3. JBI API

TODO: Describe the standard JBI API (MessageExchange, NormalizedMessage, ...)

2. JBI Components

2.1. servicemix-bean

Overview

The ServiceMix Bean component provides integration with beans (POJOs) with the JBI bus to make it easy to use POJOs to process JBI message exchanges. Like in an Message Driven Bean in J2EE a POJO will receive a message from the NMR and process it in any way it likes. Unlike in a JMS component where the coding is already done the Bean component gives the developer the freedom to create any type of message handling but it must be hand coded all the way.

Namespace and xbean.xml

The namespace URI for the servicemix-bean JBI component is `http://servicemix.apache.org/bean/1.0`. This is an example of an `xbean.xml` file with a namespace definition with prefix `bean`.

```
<beans xmlns:bean="http://servicemix.apache.org/bean/1.0">
  <bean:endpoint service="test:service" endpoint="endpoint" bean="#listenerBean" />
  <bean id="listenerBean" class="org.apache.servicemix.bean.beans.ListenerBean" />
</beans></beans>
```

Endpoint types

The servicemix-bean component only defines one endpoint, called `bean:endpoint`. It can be used to receive and send message exchanges from/to the NMR.

Endpoint `bean:endpoint`

There are two ways to configure the bean endpoint. The first is using the fully qualified name of the class and the second is by passing to the endpoint a reference to an existing bean.

Using a Java class

When defining a `bean:endpoint` specifying a Java class name, a new instance of this class will be created for handling a single message exchange.

```
<beans xmlns:bean="http://servicemix.apache.org/bean/1.0"
  xmlns:my="urn:org:servicemix:docs:examples">

  <bean:endpoint service="my:service" endpoint="endpoint"
    class="org.apache.servicemix.docs.bean.MyHandlerBean" />

</beans>
```

Using a spring bean

Alternative, a reference to an existing bean can be passed to the bean endpoint.

Apache ServiceMix 4.4.0

```
<beans xmlns:bean="http://servicemix.apache.org/bean/1.0">  
  <bean:endpoint service="test:service" endpoint="endpoint" bean="#listenerBean" />  
  <bean id="listenerBean" class="org.apache.servicemix.bean.beans.ListenerBean" />  
</beans>
```

Attention: The Bean Endpoint schema allows to set a Bean or a Bean Name. The Bean will create a **single** instance of the POJO per endpoint whereas the Bean Name will create an instance per request (message exchange).

Endpoint properties

Property Name	Type	Description
applicationContext	<i>org.springframework.context.ApplicationContext</i>	Set the Spring ApplicationContext where the bean can be found. Defaults to the context defined in xbean.xml
bean	<i>java.lang.Object</i>	Set the bean to be used for handling exchanges
beanClassName	<i>java.lang.String</i>	Set the bean class name to be used for handling exchanges. A new instance will be created on the fly for every exchange.
beanInfo	<i>org.apache.servicemix.bean.support.BeanInfo</i>	Set a custom bean info object to define the bean to be used for handling exchanges
beanName	<i>java.lang.String</i>	Set the name of the bean in the application context to be used for handling exchanges
beanType	<i>java.lang.Class</i>	Set the bean class to be used for handling exchanges. A new instance will be created on the fly for every exchange.
component	org.apache.servicemix.bean.BeanComponent	
correlationExpression	<i>org.apache.servicemix.expression.Expression</i>	Set a custom expression to use for correlating exchanges into a single request handled by the same bean instance. The default expression uses a correlation

Apache ServiceMix 4.4.0

		ID set on the exchange properties.
endpoint	<i>java.lang.String</i>	The name of the endpoint.
interfaceName	<i>javax.xml.namespace.QName</i>	The qualified name of the interface exposed by the endpoint.
methodInvocationStrategy	org.apache.servicemix.bean.support.MethodInvocationStrategy	Set a custom invocation strategy to define how the bean is being invoked. The default implementation takes some additional parameter annotations into account.
service	<i>javax.xml.namespace.QName</i>	The qualified name of the service the endpoint exposes.
serviceEndpoint	<i>javax.jbi.servicedesc.ServiceEndpoint</i>	

MessageExchangeListener

The first kind of POJOs you can deploy implement the [MessageExchangeListener](#) interface. In such a case, `servicemix-bean` acts as a replacement of the lightweight container component. This level offers the most control on the exchange received and sent. This is usually used with the injected `DeliveryChannel` to send back the exchanges, or if the POJOs needs to act as a consumer (i.e. creating and sending exchanges to other services).

These POJOs are low-level POJOs: you need to understand the JBI Api and Message Exchange Patterns to correctly handle incoming exchanges.

Note that at this point (v 3.1), there is no base class that you can inherit to speed you in this process of implementing a POJO to handle JBI exchanges, but hopefully it will come in the future.

Examples

This example on the right shows the most simple bean. When it receives an exchange, it will print it to the console and set the status to DONE before sending the exchange back. This bean can not handle InOut exchanges, as it does not set any response (an exception would be thrown in such a case).

Apache ServiceMix 4.4.0

```
import org.apache.servicemix.jbi.listener.MessageExchangeListener;

import javax.annotation.Resource;
import javax.jbi.messaging.DeliveryChannel;
import javax.jbi.messaging.ExchangeStatus;
import javax.jbi.messaging.MessageExchange;
import javax.jbi.messaging.MessagingException;

public class ListenerBean implements MessageExchangeListener {

    @Resource
    private DeliveryChannel channel;

    public void onMessageExchange(MessageExchange exchange) throws MessagingException {
        System.out.println("Received exchange: " + exchange);
        exchange.setStatus(ExchangeStatus.DONE);
        channel.send(exchange);
    }
}
```

This example will handle an InOut exchange and will send back the input as the response. Note that this example would fail if receiving an InOnly exchange, as setting a response on an InOnly exchange is not a legal operation.

```
import org.apache.servicemix.jbi.listener.MessageExchangeListener;
import org.apache.servicemix.jbi.util.MessageUtil;

import javax.annotation.Resource;
import javax.jbi.messaging.DeliveryChannel;
import javax.jbi.messaging.ExchangeStatus;
import javax.jbi.messaging.MessageExchange;
import javax.jbi.messaging.MessagingException;

public class ListenerBean implements MessageExchangeListener {

    @Resource
    private DeliveryChannel channel;

    public void onMessageExchange(MessageExchange exchange) throws MessagingException {
        if (exchange.getStatus() == ExchangeStatus.ACTIVE) {
            MessageUtil.transferInToOut(exchange, exchange);
            channel.send(exchange);
        }
    }
}
```

This is similar example as the one from above (also works only for InOut exchange) but it shows how you can extract message from an exchange in order to process it and send back.

Apache ServiceMix 4.4.0

```
import org.apache.servicemix.jbi.listener.MessageExchangeListener;
import org.apache.servicemix.jbi.util.MessageUtil;
import org.apache.servicemix.jbi.jaxp.SourceTransformer;

import javax.annotation.Resource;
import javax.jbi.messaging.DeliveryChannel;
import javax.jbi.messaging.ExchangeStatus;
import javax.jbi.messaging.MessageExchange;
import javax.jbi.messaging.MessagingException;
import javax.jbi.messaging.NormalizedMessage;
import javax.xml.transform.Source;

public class ListenerBean implements MessageExchangeListener {

    @Resource
    private DeliveryChannel channel;

    public void onMessageExchange(MessageExchange exchange) throws MessagingException {
        if (exchange.getStatus() == ExchangeStatus.ACTIVE) {
            NormalizedMessage message = exchange.getMessage("in");
            Source content = message.getContent();
            //process content according to your logic
            //e.g. to access the message body as a String use
            String body = (new SourceTransformer()).toString(content);

            message.setContent(content);
            exchange.setMessage(message, "out");
            channel.send(exchange);
        }
    }
}
```

Disclaimer

In versions 3.1 to 3.1.2 the ServiceMix Bean component will not handle asynchronous messages correctly because the final send of the message marked as DONE back to the NMR will be handled as a consumer message and that fails because there is no corresponding provider message. The only workaround is to send the messages synchronously.

Note: This was resolved in 3.1.3, 3.2.x and later via [SM-1110](#).

MessageExchange dispatching

If the POJO deployed implements the `org.apache.servicemix.MessageExchangeListener`, every message received for this POJO will be dispatched to the `onMessageExchange` method.

In other cases, exchanges in a provider role will be dispatched according to the `MethodInvocationStrategy` configured on the endpoint. The default one try to find the method according to the operation name defined on the exchange. If there is only a single method acting as an operation, it will always be used.

Annotations

The `servicemix-bean` component can accept different kind of POJOs. These POJOs may be annotated to customize their behavior. All the following annotations belong to the `org.apache.servicemix.bean` package.

Annotation	Target	Description
------------	--------	-------------

Apache ServiceMix 4.4.0

Callback	Method	
Content	Parameter	
Correlation	Type	
Endpoint	Type	This annotation is mandatory if the bean is automatically searched from a list of packages.
ExchangeTarget	Field	
Operation	Method	
Property	Parameter	
XPath	Parameter	

In addition, standard annotations can be used:

Annotation	Target	Description
Resource	Field	The Resource annotation marks a resource that is needed by the application. Currently, this annotation is only supported on fields of type <code>ComponentContext</code> and <code>DeliveryChannel</code> . The component will inject the specified resource when the POJO is instantiated.
PostConstruct	Method	The PostConstruct annotation is used on a method that needs to be executed after dependency injection is done to perform any initialization.
PreDestroy	Method	The PreDestroy annotation is used on methods as a callback notification to signal that the instance is in the process of being removed by the container.

The following interfaces are part of this API:

Interface	Description
MessageExchangeListener	When the POJO implements this interface, all exchanges will be dispatched to the <code>onMessageExchange</code> method.
Destination	This interface can be used to define a property on the bean, annotated with the <code>@ExchangeTarget</code> annotation. This is a very simple API to send exchanges from a POJO. More complex use cases can use an injected <code>DeliveryChannel</code> directly or to create a ServiceMix client .

More Examples

- [AnnotatedBean](#)
- [AutoDeployedBean](#)
- [ConsumerBean](#)
- [ListenerBean](#)
- [PlainBean](#)

2.2. servicemix-camel

Overview

The servicemix-camel component provides support for using Apache Camel to provide a full set of Enterprise Integration Patterns and flexible routing and transformation in both Java code or Spring XML to route services on the Normalized Message Router.

Namespace and camel-context.xml

When creating a servicemix-camel service unit, we reuse the default Camel namespace `http://camel.apache.org/schema/spring`.

Apache ServiceMix 4.4.0

This is an example `camel-context.xml` which uses the Spring DSL to define the Camel routes

```
<?xml version="1.0" encoding="UTF-8"?>
<beans xmlns="http://www.springframework.org/schema/beans"
       xmlns:xsi="http://www.w3.org/2001/XMLSchema-instance"
       xsi:schemaLocation="
         http://www.springframework.org/schema/beans
         http://www.springframework.org/schema/beans/spring-beans-2.0.xsd
         http://camel.apache.org/schema/spring
         http://camel.apache.org/schema/spring/camel-spring.xsd">

  <camelContext xmlns="http://camel.apache.org/schema/spring">
    <route>
      <!-- route defined in the Spring DSL -->
    </route>
  </camelContext>

</beans>
```

It is also possible to use the Java DSL inside a `servicemix-camel` service unit by referring to the package that contains the `RouteBuilder` classes. An example: this `camel-context.xml` file will activate all routes defined by `RouteBuilders` in the `org.apache.servicemix.example.camel` package.

```
<?xml version="1.0" encoding="UTF-8"?>
<beans xmlns="http://www.springframework.org/schema/beans"
       xmlns:xsi="http://www.w3.org/2001/XMLSchema-instance"
       xsi:schemaLocation="
         http://www.springframework.org/schema/beans
         http://www.springframework.org/schema/beans/spring-beans-2.0.xsd
         http://camel.apache.org/schema/spring
         http://camel.apache.org/schema/spring/camel-spring.xsd">

  <camelContext xmlns="http://camel.apache.org/schema/spring">
    <packages>org.apache.servicemix.examples.camel</packages>
  </camelContext>

</beans>
```

URI

Camel routes use URIs to interact with the ESB. You can use these URIs to expose new endpoints on the ESB as well as to send message exchanges to existing endpoints.

The snippet below automatically exposes a new endpoint to the bus, where the service QName is `MyService` and the endpoint name is `MyEndpoint`.

```
from("jbi:endpoint:http://foo.bar.org/MyService/MyEndpoint")
```

When a JBI endpoint appears at the end of a route, as in the example below, that will send

```
to("jbi:endpoint:http://foo.bar.org/MyService/MyEndpoint")
```

The messages sent by this producer endpoint are sent to the already deployed JBI endpoint.

URI format

```
jbi:service:serviceNamespace[sep]serviceName[?options]
jbi:endpoint:serviceNamespace[sep]serviceName[sep]endpointName[?options]
jbi:name:endpointName[?options]
```

The separator that should be used in the endpoint URL is:

- / (forward slash), if `serviceNamespace` starts with `http://`
- : (colon), if `serviceNamespace` starts with `urn:`.

You can append query options to the URI in the following format, `?option=value&ption=value&..`

Examples

Using `jbi:service`

```
jbi:service:http://foo.bar.org/MyService
jbi:service:urn:foo:bar:MyService
```

Using `jbi:endpoint`

```
jbi:endpoint:urn:foo:bar:MyService:MyEndpoint
jbi:endpoint:http://foo.bar.org/MyService/MyEndpoint
```

Using `jbi:name`

When using `jbi:name`, the component uses `http://activemq.apache.org/camel/schema/jbi}endpoint` as the default Service QName.

```
jbi:name:MyEndpoint
```

URI options

Name	Default value	Description
mep	MEP of the Camel Exchange	Allows users to override the MEP set on the Exchange object. Valid values for this option are <code>in-only</code> , <code>in-out</code> , <code>robust-in-out</code> and <code>in-optional-out</code> .
operation	Value of the <code>jbi.operation</code> header property	Specifies the JBI operation for the <code>MessageExchange</code> . If no value is supplied, the JBI binding will use the value of the <code>jbi.operation</code> header property.
serialization	basic	Default value (<code>basic</code>) will check if headers are serializable by looking at the type, setting this option to <code>strict</code> will detect objects that can not be serialized although they implement the <code>Serializable</code> interface. Set to <code>nocheck</code> to disable this check altogether, note that this should only be used for in-memory transports like <code>SEDAFlow</code> , otherwise you can expect to get <code>NotSerializableException</code> thrown at runtime.
convertException	false	false: send any exceptions thrown from the Camel route back unmodified

Apache ServiceMix 4.4.0

		<code>true</code> : convert all exceptions to a JBI FaultException (can be used to avoid non-serializable exceptions or to implement generic error handling)
--	--	--

Examples

```
jbi:service:http://foo.bar.org/MyService?mep=in-out      (override the MEP, use InOut JBI MessageExchange)
jbi:endpoint:urn:foo:bar:MyService:MyEndpoint?mep=in    (override the MEP, use InOnly JBI MessageExchange)
jbi:endpoint:urn:foo:bar:MyService:MyEndpoint?operation={http://www.mycompany.org}AddNumbers
(override the operation for the JBI Exchange to {http://www.mycompany.org}AddNumbers)
```

Example routes

Simple Spring route

This simple Spring route registers a new endpoint on the ESB (service Router, endpoint name orders). The message exchange contents will be logged and then forwarded to another JBI service endpoint (service OrderService)

```
<beans xmlns="http://www.springframework.org/schema/beans"
xmlns:xsi="http://www.w3.org/2001/XMLSchema-instance"
xsi:schemaLocation="
    http://www.springframework.org/schema/beans
    http://www.springframework.org/schema/beans/spring-beans-2.0.xsd
    http://camel.apache.org/schema/spring
    http://camel.apache.org/schema/spring/camel-spring.xsd">

    <camelContext xmlns="http://camel.apache.org/schema/spring">
        <route>
            <from uri="jbi:endpoint:urn:org:example:Router:orders" />
            <to uri="log:OrderLogging" />
            <to uri="jbi:service:http://services.example.org/OrderService" />
        </route>
    </camelContext>

</beans>
```

The same route using the Java DSL

When we implement the same route in the Java DSL, we first code our RouteBuilder implementation

```
package org.apache.servicemix.example;

import org.apache.camel.builder.RouteBuilder;

public class JbiRouteBuilder extends RouteBuilder {

    @Override
    public void configure() throws Exception {
        from("jbi:endpoint:urn:org:example:Router:orders")
            .to("log:OrderLogging")
            .to("jbi:service:http://services.example.org/OrderService");
    }
}
```

In our camel-context.xml file, we just refer to the org.apache.servicemix.example package that contains our JbiRouteBuilder.

Apache ServiceMix 4.4.0

```
<beans xmlns="http://www.springframework.org/schema/beans"
  xmlns:xsi="http://www.w3.org/2001/XMLSchema-instance"
  xsi:schemaLocation="
    http://www.springframework.org/schema/beans
    http://www.springframework.org/schema/beans/spring-beans-2.0.xsd
    http://camel.apache.org/schema/spring
    http://camel.apache.org/schema/spring/camel-spring.xsd">

  <camelContext xmlns="http://camel.apache.org/schema/spring">
    <route>
      <packageScan>
        <package>org.apache.servicemix.example</package>
      </packageScan>
    </route>
  </camelContext>

</beans>
```

Special considerations

Stream handling

If you are using a stream type as the message body, you should be aware that a stream is only capable of being read once. So if you enable `DEBUG` logging, the body is usually logged and thus read. To deal with this, Camel has a `streamCaching` option that can cache the stream, enabling you to read it multiple times.

```
from("jbi:endpoint:http://foo.bar.org/MyService/MyEndpoint")
  .streamCaching()
  .to("xslt:transform.xsl", "bean:doSomething");
```

Camel will cache large input streams (by default, over 64K) in a `temp` file using `CachedOutputStream`. When you close the input stream, the temp file will be deleted.

2.3. servicemix-cxf-bc

Overview

A JBI compliant HTTP/SOAP or JMS/SOAP binding component named `servicemix-cxf-bc` which use apache cxf internally.

The main features are:

- JBI compliant Binding Component
- Usable in a lightweight mode in `servicemix.xml` configuration files
- SOAP 1.1 and 1.2 support
- MIME attachments
- Support for all MEPs as consumers or providers
- SSL support
- WS-Security support
- WS-Policy support
- WS-RM support
- WS-Addressing support

Namespace and xbean.xml

The namespace URI for the servicemix-bean JBI component is `http://servicemix.apache.org/cxfbc/1.0`. This is an example of an `xbean.xml` file with a namespace definition with prefix `bean`.

```
<beans xmlns:cxfbc="http://servicemix.apache.org/cxfbc/1.0">
  <!-- add cxfbc:consumer or cxfbc:provider definitions here -->
</beans>
```

Endpoint types

The `servicemix-cxf-bc` component defines two endpoints:

- `cxfbc:consumer` :: a server-side cxf endpoint that will consume plain HTTP+SOAP requests and send them into the NMR to a given JBI endpoint
- `cxfbc:provider` :: a client-side jbi endpoint which can receive requests from the NMR and send them to a given url where the service is provided

`cxfbc:consumer`

Endpoint properties

Property Name	Type	Description
<code>busCfg</code>	<i>java.lang.String</i>	the location of the CXF configuration file used to configure the CXF bus. This allows you to configure features like WS-RM and JMS runtime behavior.
<code>delegateToJaas</code>	<i>boolean</i>	Specifies if the endpoint delegate to JAASAuthenticationService to do the authentication.
<code>endpoint</code>	<i>java.lang.String</i>	The name of the endpoint.
<code>features</code>	<i>(java.lang.Object)*</i>	Specifies the cxf features set for this endpoint
<code>inFaultInterceptors</code>	<i>(java.lang.Object)*</i>	a list of beans configuring interceptors that process incoming faults
<code>inInterceptors</code>	<i>(java.lang.Object)*</i>	a list of beans configuring interceptors that process incoming responses
<code>interfaceName</code>	<i>javax.xml.namespace.QName</i>	The qualified name of the interface exposed by the endpoint.
<code>locationURI</code>	<i>java.lang.String</i>	the HTTP address to which requests are sent. This value will override any value specified in the WSDL.
<code>mtomEnabled</code>	<i>boolean</i>	Specifies if MTOM / attachment support is enabled. Default is <code><code>>false</code></code> .
<code>outFaultInterceptors</code>	<i>(java.lang.Object)*</i>	a list of beans configuring interceptors that process fault messages being returned to the consumer
<code>outInterceptors</code>	<i>(java.lang.Object)*</i>	a list of beans configuring interceptors that process requests
<code>properties</code>	<i>java.util.Map</i>	Sets arbitrary properties that are added to the CXF context at the Endpoint level

Apache ServiceMix 4.4.0

providedBus	<i>org.apache.cxf.Bus</i>	a preconfigured CXF Bus object to use; overrides busCfg
schemaValidationEnabled	<i>boolean</i>	Specifies if the endpoint use schemavalidation for the incoming/outgoing message.
service	<i>javax.xml.namespace.QName</i>	The qualified name of the service the endpoint exposes.
synchronous	<i>boolean</i>	Specifies if the endpoint expects send messageExchange by sendSync .
targetEndpoint	<i>java.lang.String</i>	the name of the endpoint to which requests are sent
targetInterface	<i>javax.xml.namespace.QName</i>	the QName of the interface to which requests are sent
targetOperation	<i>javax.xml.namespace.QName</i>	the QName of the operation to which requests are sent
targetService	<i>javax.xml.namespace.QName</i>	the QName of the service to which requests are sent
targetUri	<i>java.lang.String</i>	Set the target service/endpoint/interface using a URI.
timeout	<i>long</i>	the number of second the endpoint will wait for a response. The default is unlimited.
useJBIFrapper	<i>boolean</i>	Specifies if the JBI wrapper is sent in the body of the message. Default is <code><code>>true</code></code> .
useSOAPEnvelope	<i>boolean</i>	Specifies if the endpoint expects soap messages when useJBIFrapper is false,
wSDL	<i>org.springframework.core.io.Resource</i>	the location of the WSDL document defining the endpoint's interface
x509	<i>boolean</i>	Specifies if the endpoint use X.509 Certificate to do the authentication.

cxfbc:provider

Endpoint properties

Property Name	Type	Description
busCfg	<i>java.lang.String</i>	the location of the CXF configuration file used to configure the CXF bus. This allows you to configure features like WS-RM and JMS runtime behavior.
endpoint	<i>java.lang.String</i>	The name of the endpoint.
features	<i>(java.lang.Object)*</i>	Specifies the cxf features set for this endpoint
inFaultInterceptors	<i>(java.lang.Object)*</i>	a list of beans configuring interceptors that process incoming faults
inInterceptors	<i>(java.lang.Object)*</i>	a list of beans configuring interceptors that process incoming requests
interfaceName	<i>javax.xml.namespace.QName</i>	The qualified name of the interface exposed by the endpoint.
locationURI	<i>java.net.URI</i>	the HTTP address of the exposed service. This value will override any value specified in the WSDL.
mtomEnabled	<i>boolean</i>	Specifies if MTOM / attachment support is enabled. Default is <code><code>>false</code></code> .

Apache ServiceMix 4.4.0

outFaultInterceptors	<i>(java.lang.Object)*</i>	a list of beans configuring interceptors that process fault messages being returned to the consumer
outInterceptors	<i>(java.lang.Object)*</i>	a list of beans configuring interceptors that process responses
properties	<i>java.util.Map</i>	Sets arbitrary properties that are added to the CXF context at the Endpoint level
providedBus	<i>org.apache.cxf.Bus</i>	a preconfigured CXF Bus object to use; overrides busCfg
schemaValidationEnabled	<i>boolean</i>	Specifies if the endpoint use schemavalidation for the incoming/outgoing message.
service	<i>javax.xml.namespace.QName</i>	The qualified name of the service the endpoint exposes.
synchronous	<i>boolean</i>	Specifies if the endpoints send message synchronously to external server using underlying
useJBIWrapper	<i>boolean</i>	Specifies if the JBI wrapper is sent in the body of the message. Default is <code><code>>true</code></code> .
useSOAPEnvelope	<i>boolean</i>	Specifies if the endpoint expects soap messages when useJBIWrapper is false,
wSDL	<i>org.springframework.core.io.Resource</i>	the location of the WSDL document defining the endpoint's interface

Examples

Configuring the CXF JMS Transport

The ServiceMix CXF binding component also allows using the CXF JMS Transport to send and receive messages. You can use the `<cxf:features/>` element to add and configure the `org.apache.cxf.transport.jms.JMSConfigFeature` on the endpoint, as in the example below.

Apache ServiceMix 4.4.0

```
<cxfdc:provider wsdl="org/apache/servicemix/cxfdc/ws/security/hello_world.wsdl"
  service="greeter:HelloWorldService"
  endpoint="HelloWorldPortProxy"
  interfaceName="greeter:Greeter"
  busCfg="jms_conduit_config.xml">

  <!-- add interceptors here -->

  <cxfdc:features>
    <bean class="org.apache.cxf.transport.jms.JMSConfigFeature">
      <property name="jmsConfig">
        <bean class="org.apache.cxf.transport.jms.JMSConfiguration">
          <property name="concurrentConsumers">
            <value>5</value>
          </property>
          <property name="connectionFactory">
            <ref bean="myConnectionFactory" />
          </property>
          <property name="targetDestination">
            <value>test.jmstransport.text.provider</value>
          </property>
          <property name="useJms11">
            <value>>false</value>
          </property>
        </bean>
      </property>
    </bean>
  </cxfdc:features>
</cxfdc:provider>

<amq:connectionFactory id="myConnectionFactory" brokerURL="vm://localhost"/>
```

The `jms_conduit_config.xml` file specified in the `busCfg` parameter, is optional and can be used to specify additional JMS transport parameters:

```
<?xml version="1.0" encoding="UTF-8"?>
<beans xmlns="http://www.springframework.org/schema/beans"
  xmlns:xsi="http://www.w3.org/2001/XMLSchema-instance"
  xmlns:jms="http://cxf.apache.org/transport/jms"
  xsi:schemaLocation="
    http://cxf.apache.org/transport/jms http://cxf.apache.org/schemas/configuration/jms.xsd
    http://www.springframework.org/schema/beans http://www.springframework.org/schema/beans/spring-beans.xsd">
  <jms:conduit name="{http://apache.org/hello_world_soap_http}HelloWorldPort.jms-conduit" abstract="true">
    <jms:clientConfig clientReceiveTimeout="200000"/>
  </jms:conduit>
</beans>
```

Configuring the CXF HTTP Transport

In order to configure the underlying HTTP transport used by a CXF BC endpoint, you can specify an additional `busCfg` file as in the example below.

Apache ServiceMix 4.4.0

```
<cxfdc:provider wsdl="org/apache/servicemix/cxfbc/ws/security/hello_world.wsdl"
  service="greeter:HelloWorldService"
  endpoint="HelloWorldPortProxy"
  interfaceName="greeter:Greeter"
  busCfg="http_conduit_config.xml">

  <!-- add interceptors and additional CXF features here -->

</cxfdc:provider>
```

The `http_conduit_config.xml` file can then specify the additional CXF configuration. Have a look at [this page](#) for an overview of all the options supported by CXF.

```
<beans xmlns="http://www.springframework.org/schema/beans"
  xmlns:xsi="http://www.w3.org/2001/XMLSchema-instance"
  xmlns:http-conf="http://cxf.apache.org/transports/http/configuration"
  xsi:schemaLocation="http://cxf.apache.org/transports/http/configuration
    http://cxf.apache.org/schemas/configuration/http-conf.xsd
    http://www.springframework.org/schema/beans
    http://www.springframework.org/schema/beans/spring-beans.xsd">

  <http-conf:conduit name="{http://apache.org/hello_world_soap_http}HelloWorldPort.http-conduit">
    <http-conf:client Connection="Keep-Alive"
      MaxRetransmits="1"
      AllowChunking="false" />
  </http-conf:conduit>
</beans>
```

2.4. servicemix-cxf-se

Overview

ServiceMix CXF SE component is a JBI Service Engine exposing (annotated) POJO as services on the JBI Bus.

It uses Apache CXF internally to perform service invocations and xml marshaling.

Features:

- jsr181 annotations
- jaxb2/aegis/xmlbeans databinding
- wsdl auto generation
- java proxy support
- MTOM / attachments support

Namespace and xbean.xml

The namespace URI for the `servicemix-bean` JBI component is `http://servicemix.apache.org/cxfse/1.0`. This is an example of an `xbean.xml` file with a namespace definition with prefix `bean`.

```
<beans xmlns:cxfse="http://servicemix.apache.org/cxfse/1.0">

  <!-- add cxfse:endpoint definitions here -->

</beans>
```

Endpoint types

The servicemix-cxf-bc component defines one endpoint type:

- `cxfsse:endpoint` :: no description yet

cxfsse:endpoint

Endpoint properties

Property Name	Type	Description
endpoint	<i>java.lang.String</i>	The name of the endpoint.
inFaultInterceptors	<i>(java.lang.Object)*</i>	a list of beans configuring interceptors that process incoming faults
inInterceptors	<i>(java.lang.Object)*</i>	a list of beans configuring interceptors that process incoming requests
interfaceName	<i>javax.xml.namespace.QName</i>	The qualified name of the interface exposed by the endpoint.
mtomEnabled	<i>boolean</i>	Specifies if the service can consume MTOM formatted binary data. The default is <code>false</code> .
outFaultInterceptors	<i>(java.lang.Object)*</i>	a list of beans configuring interceptors that process fault messages being returned to the consumer
outInterceptors	<i>(java.lang.Object)*</i>	a list of beans configuring interceptors that process response messages
pojo	<i>java.lang.Object</i>	a bean configuring the JAX-WS annotated implementation for the endpoint
pojoEndpoint	<i>javax.xml.namespace.QName</i>	Specifies the servicemodel endpoint name generated from the pojo. The default is <code>null</code> .
pojoInterfaceName	<i>javax.xml.namespace.QName</i>	Specifies the servicemodel interface name generated from the pojo. The default is <code>null</code> .
pojoService	<i>javax.xml.namespace.QName</i>	Specifies the servicemodel service name generated from the pojo. The default is <code>null</code> .
properties	<i>java.util.Map</i>	Specifies a map of properties
service	<i>javax.xml.namespace.QName</i>	The qualified name of the service the endpoint exposes.
useAegis	<i>boolean</i>	Specifies if the endpoint use aegis databinding to marshall/unmarshall message. The default is <code>false</code> .
useJBIWrapper	<i>boolean</i>	Specifies if the endpoint expects to receive the JBI wrapper in the message received from the NMR. The default is <code>true</code> . Ignore the value of useSOAPEnvelope if useJBIWrapper is true
useSOAPEnvelope	<i>boolean</i>	Specifies if the endpoint expects soap messages when useJBIWrapper is false, if useJBIWrapper is true then ignore useSOAPEnvelope. The default is <code>true</code> .
useXmlBeans	<i>boolean</i>	Specifies if the endpoint use xmlbeans databinding to marshell/unmarshall message. The default is <code>false</code> .

cxfbc:proxy

Endpoint properties

Property Name	Type	Description
---------------	------	-------------

Apache ServiceMix 4.4.0

componentRegistry	<i>java.lang.Object</i>	Allows injecting a custom component registry for looking up the proxying endpoint.
container	<i>org.apache.servicemix.jbi.api.Container</i>	Allows injecting a JBI Container instance (e.g. for testing purposes).
context	<i>javax.jbi.component.ComponentContext</i>	Allows injecting the ComponentContext
endpoint	<i>java.lang.String</i>	The name of the endpoint.
factory	<i>org.apache.servicemix.jbi.api.ClientFactory</i>	Allows injecting a ClientFactory
interfaceName	<i>javax.xml.namespace.QName</i>	Specifies the servicemodel interface name
mtomEnabled	<i>boolean</i>	Specifies if the service can consume MTOM formatted binary data. The default is <code>false</code> .
name	<i>java.lang.String</i>	Specifies the JNDI name for looking up the ClientFactory. Defaults to <code>java:comp/env/jbi/ClientFactory</code> .
propagateSecuritySubject	<i>boolean</i>	When set to <code>true</code> , the security subject is propagated along to the proxied endpoint. Defaults to <code>false</code> .
service	<i>javax.xml.namespace.QName</i>	Specifies the servicemodel service name
type	<i>java.lang.Class</i>	Specifies the webservice POJO type
useJBIWrapper	<i>boolean</i>	Specifies if the endpoint expects to receive the JBI wrapper in the message received from the NMR. The default is <code>true</code> . Ignore the value of useSOAPEnvelope if useJBIWrapper is true
useSOAPEnvelope	<i>boolean</i>	Specifies if the endpoint expects soap messages when useJBIWrapper is false, if useJBIWrapper is true then ignore useSOAPEnvelope. The default is <code>true</code> .

2.5. servicemix-drools

Overview

The ServiceMix Drools component provides JBI integration to the Drools Rules Engine.

This Service Engine can be used to deploy a rules set that will implement a router or an actual service.

A router will mostly act as a transparent proxy between the consumer and the target service provider and will mostly be implemented by the `jbi.route(uri)` method below. This method creates a new exchange identical to the one received by the component and will send it to the specified destination. You can also send back a Fault if needed. A router can also be implemented by using directly the JBI Apis (available with the jbi helper) by using the provided client.

Namespace and xbean.xml

The namespace URI for the servicemix-bean JBI component is `http://servicemix.apache.org/drools/1.0`. This is an example of an `xbean.xml` file with a namespace definition with prefix `bean`.

```
<beans xmlns:drools="http://servicemix.apache.org/drools/1.0">
  <!-- add drools:endpoint definitions here -->
</beans>
```

Endpoint types

The servicemix-drools component defines one endpoint type:

- `drools:endpoint` :: no description yet

`drools:endpoint`

Endpoint properties

Property Name	Type	Description
assertedObjects	<i>(java.lang.Object)*</i>	List of additional objects to be inserted into the drools working memory for evaluating rules.
autoReply	<i>boolean</i>	Will this endpoint automatically reply to any exchanges not handled by the Drools rulebase?
component	org.apache.servicemix.common.DefaultComponent	
defaultTargetService	<i>javax.xml.namespace.QName</i>	The default service that the exchange will be sent to if none of the rules have handled it.
defaultTargetURI	<i>java.lang.String</i>	The default endpoint URI that the exchange will be sent to if none of the rules have handled it.
endpoint	<i>java.lang.String</i>	The name of the endpoint.
globals	<i>java.util.Map</i>	The global variables that are available while evaluating the rule base.
interfaceName	<i>javax.xml.namespace.QName</i>	The qualified name of the interface exposed by the endpoint.
namespaceContext	javax.xml.namespace.NamespaceContext	The namespace context to use when evaluating the rules.
ruleBase	<i>org.drools.RuleBase</i>	Set the rule base to be used for handling the exchanges
ruleBaseResource	<i>org.springframework.core.io.Resource</i>	Specifies the resource location to load the rule base from (.drl file)
ruleBaseURL	<i>java.net.URL</i>	Specifies a URL to load the rule base from (.drl file)
service	<i>javax.xml.namespace.QName</i>	The qualified name of the service the endpoint exposes.
su	<i>org.apache.servicemix.common.ServiceUnit</i>	

2.6. servicemix-eip

Overview

The servicemix-eip component is a routing container where different routing patterns can be deployed as service unit.

This component is based on the great Enterprise Integration Patterns book.

Namespace and xbean.xml

The namespace URI for the servicemix-bean JBI component is `http://servicemix.apache.org/eip/1.0`. This is an example of an `xbean.xml` file with a namespace definition with prefix `eip`.

```
<beans xmlns="http://www.springframework.org/schema/beans"
  xmlns:xsi="http://www.w3.org/2001/XMLSchema-instance"
  xmlns:eip="http://servicemix.apache.org/eip/1.0"
  xsi:schemaLocation="http://www.springframework.org/schema/beans http://www.springframework.org
  <!-- Pipeline example -->
  <eip:pipeline service="test:pipeline" endpoint="endpoint">
  <eip:transformer>
  <eip:exchange-target service="test:transformer" />
  </eip:transformer>
  <eip:target>
  <eip:exchange-target service="test:trace" />
  </eip:target>
  </eip:pipeline>
  </beans>
```

Endpoint types

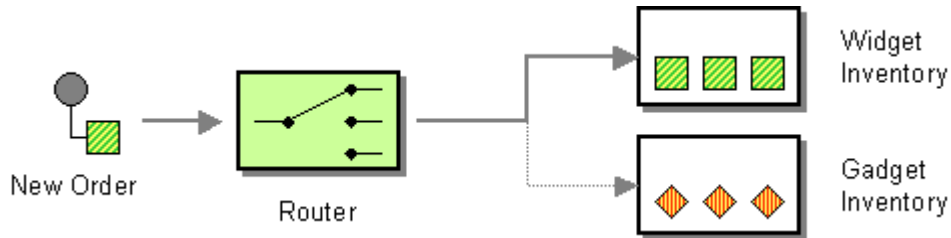
The servicemix-eip component defines several endpoint types:

- `eip:content-based-router` :: Implements the Content-Based Router EIP
- `eip:message-filter` :: Implements the Message Filter EIP
- `eip:pipeline` :: Implements the Pipeline EIP
- `eip:static-recipient-list` :: Implements the Static Recipient List EIP
- `eip:static-routing-slip` :: Implements the Static Routing Slip EIP
- `eip:wire-tap` :: Implements the Wire Tap EIP
- `eip:xpath-splitter` :: Uses XPath to split a message
- `eip:split-aggregator` :: Aggregates messages that have been split by the `xpath-splitter`
- `eip:content-enricher` :: Implements the Content Enricher EIP
- `eip:resequencer` :: Implements the Resequencer EIP
- `eip:async-bridge` :: Handles an InOut exchange by correlating to separate InOnly exchanges

In addition, this component can use all ServiceMix flows (including clustered and transactional flows), can be configured to be resilient to crashes and supports full fail-over to another node when clustered.

Content Based Router

ContentBasedRouter can be used for all kind of content-based routing. This pattern implements the [Content-Based Router](#) pattern.

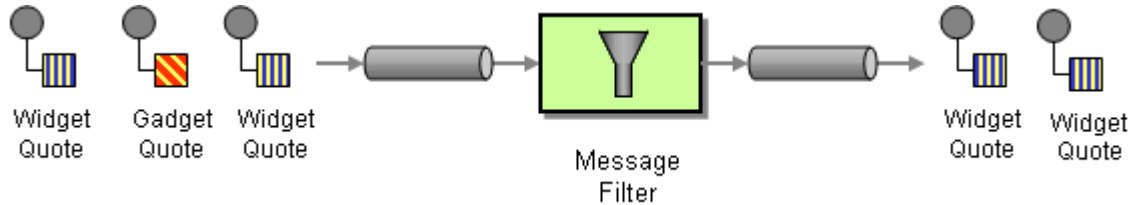


Endpoint properties

Property Name	Type	Description
endpoint	<i>java.lang.String</i>	The name of the endpoint.
forwardOperation	<i>boolean</i>	Forward the operation QName when sending the exchange to the target.
interfaceName	<i>javax.xml.namespace.QName</i>	The qualified name of the interface exposed by the endpoint.
lockManager	<i>org.apache.servicemix.common.locks.LockManager</i>	The lock manager to use for this endpoint. If none is explicitly specified a default implementation will be provided.
rules	(org.apache.servicemix.eip.support.RoutingRule)*	The list of routing rules.
service	<i>javax.xml.namespace.QName</i>	The qualified name of the service the endpoint exposes.
store	<i>org.apache.servicemix.store.Store</i>	Configure the store to use. If none is explicitly configured, the storeFactory will be used to create one.
storeFactory	<i>org.apache.servicemix.store.StoreFactory</i>	The store factory to use when creating a store. If no factory is explicitly defined, an in-memory only factory will be created.
timerManager	<i>org.apache.servicemix.timers.TimerManager</i>	The timer manager to use for this endpoint. If none is explicitly configured, a default implementation will be provided.
wsdlExchangeTarget	org.apache.servicemix.eip.support.ExchangeTarget	An exchange target pointing to a JBI endpoint that will be used to load the WSDL describing this endpoint. This can be used when the endpoint proxies another endpoint so that the same WSDL definition will be exposed."
wsdlResource	<i>org.springframework.core.io.Resource</i>	When specified, this spring resource will be used to load the WSDL that will be exposed as a description for this endpoint. This property can be used to explicitly define the WSDL to be exposed by this endpoint. This property takes precedence over the wsdlExchangeTarget property.

Message Filter

MessageFilter allows filtering incoming JBI exchanges. As it drops unwanted messages and in an InOut exchange a response is required, MessageFilter and InOut MEPs cannot be used together. This pattern implements the [Message Filter](#) pattern.



Endpoint properties

Property Name	Type	Description
endpoint	<i>java.lang.String</i>	The name of the endpoint.
filter	org.apache.servicemix.eip.support.Predicate	The filter to use on incoming messages
interfaceName	<i>javax.xml.namespace.QName</i>	The qualified name of the interface exposed by the endpoint.
lockManager	<i>org.apache.servicemix.common.locks.LockManager</i>	The lock manager to use for this endpoint. If none is explicitly specified a default implementation will be provided.
reportErrors	<i>boolean</i>	Indicates if faults and errors from recipients should be sent back to the consumer. In such a case, only the first fault or error received will be reported. Note that if the consumer is synchronous, it will be blocked until all recipients successfully acked the exchange, or a fault or error is reported, and the exchange will be kept in the store for recovery.
service	<i>javax.xml.namespace.QName</i>	The qualified name of the service the endpoint exposes.
store	<i>org.apache.servicemix.store.Store</i>	Configure the store to use. If none is explicitly configured, the storeFactory will be used to create one.
storeFactory	<i>org.apache.servicemix.store.StoreFactory</i>	The store factory to use when creating a store. If no factory is explicitly defined, an in-memory only factory will be created.
target	org.apache.servicemix.eip.support.ExchangeTarget	The main target destination which will receive the exchange
timerManager	<i>org.apache.servicemix.timers.TimerManager</i>	The timer manager to use for this endpoint. If none is explicitly configured, a default implementation will be provided.
wSDLExchangeTarget	org.apache.servicemix.eip.support.ExchangeTarget	An exchange target pointing to a JBI endpoint that will be used to load the WSDL describing this endpoint.

Apache ServiceMix 4.4.0

		This can be used when the endpoint proxies another endpoint so that the same WSDL definition will be exposed."
wSDLResource	<i>org.springframework.core.io.Resource</i>	When specified, this spring resource will be used to load the WSDL that will be exposed as a description for this endpoint. This property can be used to explicitly define the WSDL to be exposed by this endpoint. This property takes precedence over the wSDLExchangeTarget property.

Pipeline

The Pipeline component is a bridge between an In-Only (or Robust-In-Only) MEP and an In-Out MEP. When the Pipeline receives an In-Only MEP, it will send the input in an In-Out MEP to the transformer destination and forward the response in an In-Only MEP to the target destination.

The old `org.apache.servicemix.components.util.PipelineComponent` will be deprecated. This one offers the same feature but can be safely clustered and use in a transactional environment.

In the default configuration, faults sent by the transformer component are sent back to the consumer as faults if the exchange MEP supports them, or as errors (for InOnly exchanges). This behavior can be changed by setting the `sendFaultsToTarget` attribute to `true`, in which case faults will be sent to the target component, or by adding a `faultsTarget` element where faults should be sent.

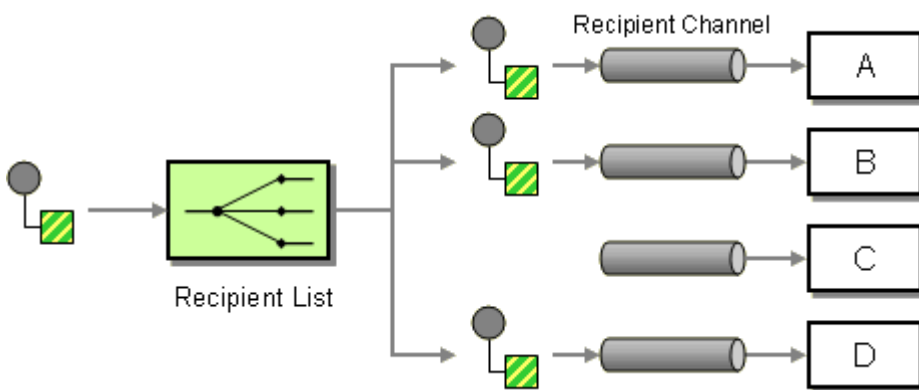
Endpoint properties

Property Name	Type	Description
copyAttachments	<i>boolean</i>	Should message attachments be copied ?
copyProperties	<i>boolean</i>	Should message properties be copied ?
endpoint	<i>java.lang.String</i>	The name of the endpoint.
faultsTarget	org.apache.servicemix.eip.support.ExchangeTarget	The address of the endpoint to send faults to
interfaceName	<i>javax.xml.namespace.QName</i>	The qualified name of the interface exposed by the endpoint.
lockManager	<i>org.apache.servicemix.common.locks.LockManager</i>	The lock manager to use for this endpoint. If none is explicitly specified a default implementation will be provided.
sendFaultsToTarget	<i>boolean</i>	When the faultsTarget is not specified, faults may be sent to the target endpoint if this flag is set to <code><code>true</code></code>
service	<i>javax.xml.namespace.QName</i>	The qualified name of the service the endpoint exposes.
store	<i>org.apache.servicemix.store.Store</i>	Configure the store to use. If none is explicitly configured, the storeFactory will be used to create one.

storeFactory	<i>org.apache.servicemix.store.StoreFactory</i>	The store factory to use when creating a store. If no factory is explicitly defined, an in-memory only factory will be created.
target	org.apache.servicemix.eip.support.ExchangeTarget	The address of the target endpoint
timerManager	<i>org.apache.servicemix.timers.TimerManager</i>	The timer manager to use for this endpoint. If none is explicitly configured, a default implementation will be provided.
transformer	org.apache.servicemix.eip.support.ExchangeTarget	The address of the in-out endpoint acting as a transformer
wSDLExchangeTarget	org.apache.servicemix.eip.support.ExchangeTarget	An exchange target pointing to a JBI endpoint that will be used to load the WSDL describing this endpoint. This can be used when the endpoint proxies another endpoint so that the same WSDL definition will be exposed."
wSDLResource	<i>org.springframework.core.io.Resource</i>	When specified, this spring resource will be used to load the WSDL that will be exposed as a description for this endpoint. This property can be used to explicitly define the WSDL to be exposed by this endpoint. This property takes precedence over the wSDLExchangeTarget property.

Static Recipient List

The StaticRecipientList component will forward an input In-Only or Robust-In-Only exchange to a list of known recipients. This component implements the [Recipient List](#) pattern, with the limitation that the recipient list is static.



Endpoint properties

Property Name	Type	Description
endpoint	<i>java.lang.String</i>	The name of the endpoint.
interfaceName	<i>javax.xml.namespace.QName</i>	The qualified name of the interface exposed by the endpoint.

Apache ServiceMix 4.4.0

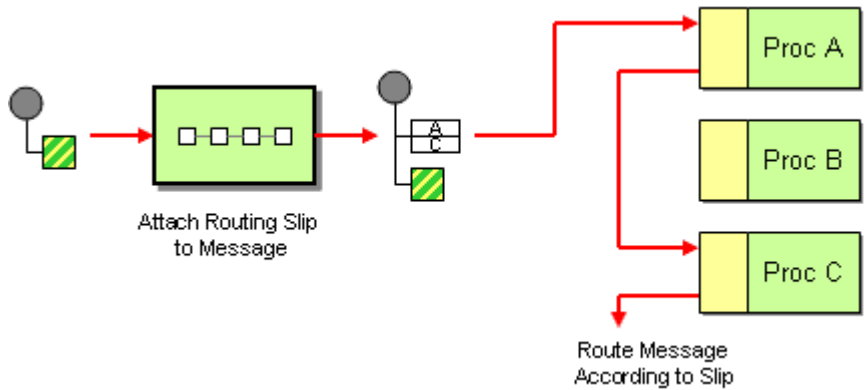
lockManager	<i>org.apache.servicemix.common.locks.LockManager</i>	The lock manager to use for this endpoint. If none is explicitly specified a default implementation will be provided.
recipients	(org.apache.servicemix.eip.support.ExchangeTarget) *	A list of recipients that will each receive a copy of the input message.
reportErrors	<i>boolean</i>	Indicates if faults and errors from recipients should be sent back to the consumer. In such a case, only the first fault or error received will be reported. Note that if the consumer is synchronous, it will be blocked until all recipients successfully acked the exchange, or a fault or error is reported, and the exchange will be kept in the store for recovery.
service	<i>javax.xml.namespace.QName</i>	The qualified name of the service the endpoint exposes.
store	<i>org.apache.servicemix.store.Store</i>	Configure the store to use. If none is explicitly configured, the storeFactory will be used to create one.
storeFactory	<i>org.apache.servicemix.store.StoreFactory</i>	The store factory to use when creating a store. If no factory is explicitly defined, an in-memory only factory will be created.
timerManager	<i>org.apache.servicemix.timers.TimerManager</i>	The timer manager to use for this endpoint. If none is explicitly configured, a default implementation will be provided.
wsdlExchangeTarget	org.apache.servicemix.eip.support.ExchangeTarget	An exchange target pointing to a JBI endpoint that will be used to load the WSDL describing this endpoint. This can be used when the endpoint proxies another endpoint so that the same WSDL definition will be exposed."
wsdlResource	<i>org.springframework.core.io.Resource</i>	When specified, this spring resource will be used to load the WSDL that will be exposed as a description for this endpoint. This property can be used to explicitly define the WSDL to be exposed by this endpoint. This property takes precedence over the wsdlExchangeTarget property.

Static Routing Slip

A RoutingSlip component can be used to route an incoming In-Out exchange through a series of target services.

This component implements the [Routing Slip](#) pattern, with the limitation that the routing table is static.

This component only uses In-Out MEPs and errors or faults sent by targets are reported back to the consumer, thus interrupting the routing process.



Endpoint properties

Property Name	Type	Description
endpoint	<i>java.lang.String</i>	The name of the endpoint.
interfaceName	<i>javax.xml.namespace.QName</i>	The qualified name of the interface exposed by the endpoint.
lockManager	<i>org.apache.servicemix.common.locks.LockManager</i>	The lock manager to use for this endpoint. If none is explicitly specified a default implementation will be provided.
service	<i>javax.xml.namespace.QName</i>	The qualified name of the service the endpoint exposes.
store	<i>org.apache.servicemix.store.Store</i>	Configure the store to use. If none is explicitly configured, the storeFactory will be used to create one.
storeFactory	<i>org.apache.servicemix.store.StoreFactory</i>	The store factory to use when creating a store. If no factory is explicitly defined, an in-memory only factory will be created.
targets	(org.apache.servicemix.eip.support.ExchangeTarget) *	List of target endpoints used in the RoutingSlip
timerManager	<i>org.apache.servicemix.timers.TimerManager</i>	The timer manager to use for this endpoint. If none is explicitly configured, a default implementation will be provided.
wSDLExchangeTarget	org.apache.servicemix.eip.support.ExchangeTarget	An exchange target pointing to a JBI endpoint that will be used to load the WSDL describing this endpoint. This can be used when the endpoint proxies another endpoint so that the same WSDL definition will be exposed."
wSDLResource	<i>org.springframework.core.io.Resource</i>	When specified, this spring resource will be used to load the WSDL that will be exposed as a description for this endpoint. This property can be used to explicitly define the WSDL to be exposed by this endpoint. This property takes precedence over

the `wslExchangeTarget` property.

Wire Tap

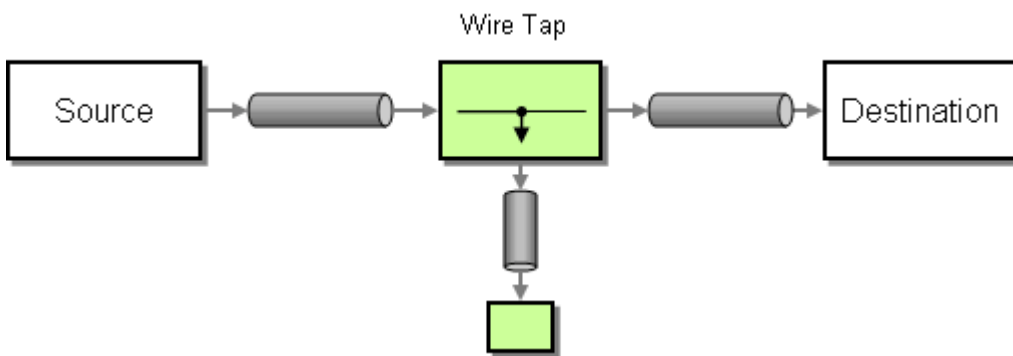
A WireTap component can be used to forward a copy of the input message to a listener in a proxy fashion.

This component implements the [WireTap](#) pattern.

It can handle all four standard MEPs, but will only send an In-Only MEP to the listener.

The originating service must be configured to send messages to the WireTap directly.

In the case of an In-Out MEP, this means that the WireTap needs to be configured to send the exchange along to the destination service.



Similar to the example above, the WireTap can also be used:

- to forward the output message of an exchange using `<eip:outListener/>`
- to forward the fault message of an exchange using `<eip:faultListener/>`

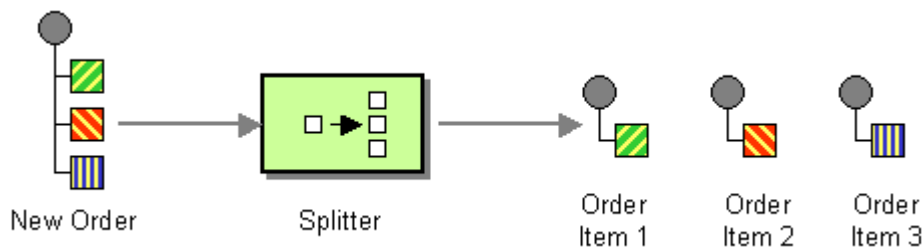
Endpoint properties

Property Name	Type	Description
<code>copyProperties</code>	<i>boolean</i>	If <code>copyProperties</code> is <code><code>true</code></code> , properties on the in message will be copied to the out / fault message before it is sent.
<code>endpoint</code>	<i>java.lang.String</i>	The name of the endpoint.
<code>faultListener</code>	org.apache.servicemix.eip.support.ExchangeTarget	The listener destination for fault messages
<code>inListener</code>	org.apache.servicemix.eip.support.ExchangeTarget	The listener destination for in messages
<code>interfaceName</code>	<i>javax.xml.namespace.QName</i>	The qualified name of the interface exposed by the endpoint.
<code>lockManager</code>	<i>org.apache.servicemix.common.locks.LockManager</i>	The lock manager to use for this endpoint. If none is explicitly specified a default implementation will be provided.
<code>outListener</code>	org.apache.servicemix.eip.support.ExchangeTarget	The listener destination for out messages
<code>service</code>	<i>javax.xml.namespace.QName</i>	The qualified name of the service the endpoint exposes.

store	<i>org.apache.servicemix.store.Store</i>	Configure the store to use. If none is explicitly configured, the storeFactory will be used to create one.
storeFactory	<i>org.apache.servicemix.store.StoreFactory</i>	The store factory to use when creating a store. If no factory is explicitly defined, an in-memory only factory will be created.
target	org.apache.servicemix.eip.support.ExchangeTarget	The main target destination which will receive the exchange
timerManager	<i>org.apache.servicemix.timers.TimerManager</i>	The timer manager to use for this endpoint. If none is explicitly configured, a default implementation will be provided.
wsdlExchangeTarget	org.apache.servicemix.eip.support.ExchangeTarget	An exchange target pointing to a JBI endpoint that will be used to load the WSDL describing this endpoint. This can be used when the endpoint proxies another endpoint so that the same WSDL definition will be exposed."
wsdlResource	<i>org.springframework.core.io.Resource</i>	When specified, this spring resource will be used to load the WSDL that will be exposed as a description for this endpoint. This property can be used to explicitly define the WSDL to be exposed by this endpoint. This property takes precedence over the wsdlExchangeTarget property.

XPath Splitter

The XPathSplitter component implements the [Splitter](#) pattern using an xpath expression to split the incoming xml.



Endpoint properties

Property Name	Type	Description
endpoint	<i>java.lang.String</i>	The name of the endpoint.
factory	<i>javax.xml.xpath.XPathFactory</i>	The XPath factory. If no factory is explicitly configured, a default one will be created using <code>XPathFactory.newInstance()</code>
forwardAttachments	<i>boolean</i>	Indicates if incoming attachments should be forwarded with the new exchanges.
forwardProperties	<i>boolean</i>	Indicates if properties on the incoming message should be forwarded.

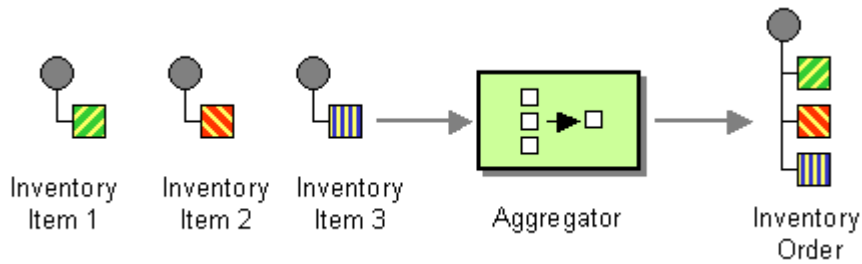
Apache ServiceMix 4.4.0

functionResolver	<i>javax.xml.xpath.XPathFunctionResolver</i>	The function resolver.
interfaceName	<i>javax.xml.namespace.QName</i>	The qualified name of the interface exposed by the endpoint.
lockManager	<i>org.apache.servicemix.common.locks.LockManager</i>	The lock manager to use for this endpoint. If none is explicitly specified a default implementation will be provided.
namespaceContext	javax.xml.namespace.NamespaceContext	The namespace context to use when evaluating the xpath expression
reportErrors	<i>boolean</i>	Indicates if faults and errors from splitted parts should be sent back to the consumer. In such a case, only the first fault or error received will be reported. Note that if the consumer is synchronous, it will be blocked until all parts have been successfully acked, or a fault or error is reported, and the exchange will be kept in the store for recovery.
service	<i>javax.xml.namespace.QName</i>	The qualified name of the service the endpoint exposes.
store	<i>org.apache.servicemix.store.Store</i>	Configure the store to use. If none is explicitly configured, the storeFactory will be used to create one.
storeFactory	<i>org.apache.servicemix.store.StoreFactory</i>	The store factory to use when creating a store. If no factory is explicitly defined, an in-memory only factory will be created.
synchronous	<i>boolean</i>	Specifies whether exchanges for all parts are sent synchronously or not.
target	org.apache.servicemix.eip.support.ExchangeTarget	The address of the target endpoint.
timerManager	<i>org.apache.servicemix.timers.TimerManager</i>	The timer manager to use for this endpoint. If none is explicitly configured, a default implementation will be provided.
variableResolver	<i>org.apache.servicemix.expression.MessageVariableResolver</i>	The variable resolver. The default one will enable the use of properties on the message, exchange, as well as making system properties and environment properties available.
wsdlExchangeTarget	org.apache.servicemix.eip.support.ExchangeTarget	An exchange target pointing to a JBI endpoint that will be used to load the WSDL describing this endpoint. This can be used when the endpoint proxies another endpoint so that the same WSDL definition will be exposed."
wsdlResource	<i>org.springframework.core.io.Resource</i>	When specified, this spring resource will be used to load the WSDL that will be exposed as a description for this endpoint. This property can be used to explicitly define the WSDL to be exposed by this endpoint. This property takes precedence over the wsdlExchangeTarget property.
xpath	<i>java.lang.String</i>	The xpath expression used to split the input message.

Split Aggregator

The SplitAggregator is an aggregator mainly useful to collect messages that have been created using a splitter.

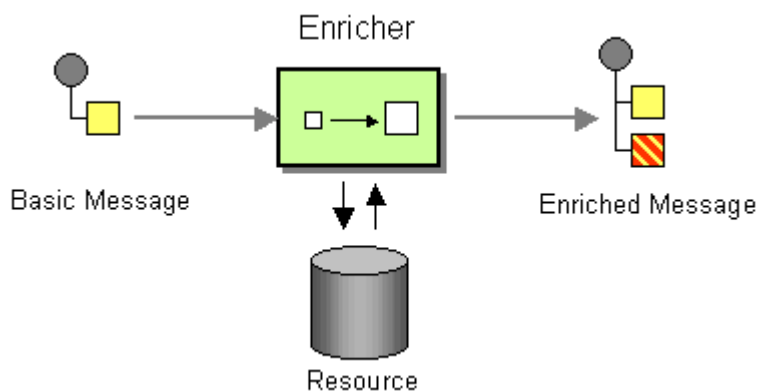
It relies on several properties that should be set on the exchanges (count, index, correlationId).



Endpoint properties

Content Enricher

With a Content Enricher you can extract additional information from a source and add this information to your message. This is useful if the calling service for example extracts a 'userID' and your target system is only aware of a 'userName'. By using the Content-Enricher you could extract this information from a source system and add this additional information ('userName') to your message.



```
<eip:content-enricher service="test:contentEnricher" endpoint="endpoint">
  <eip:enricherTarget>
    <eip:exchange-target service="test:additionalInformationExtractor" />
  </eip:enricherTarget>
  <eip:target>
    <eip:exchange-target service="test:myTarget" />
  </eip:target>
</eip:content-enricher>
```

Endpoint properties

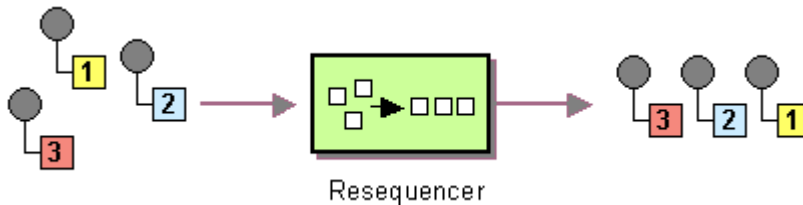
Property Name	Type	Description
copyAttachments	<i>boolean</i>	If this is set to <code>true</code> , message attachments from the incoming exchange and the enricher exchange will be copied to the outgoing message exchange. The default value is <code>false</code> (do not copy message attachments).

Apache ServiceMix 4.4.0

copyProperties	<i>boolean</i>	If this is set to <code><code>>true</code></code> , message properties from the incoming exchange and the enricher exchange will be copied to the outgoing message exchange. The default value is <code><code>>false</code></code> (do not copy message properties).
endpoint	<i>java.lang.String</i>	The name of the endpoint.
enricherElementName	<i>javax.xml.namespace.QName</i>	returns the QName of the resulting root node
enricherTarget	org.apache.servicemix.eip.support.ExchangeTarget	The target that will receive a copy of the input message and return an additional content.
interfaceName	<i>javax.xml.namespace.QName</i>	The qualified name of the interface exposed by the endpoint.
lockManager	<i>org.apache.servicemix.common.locks.LockManager</i>	The lock manager to use for this endpoint. If none is explicitly specified a default implementation will be provided.
requestElementName	<i>javax.xml.namespace.QName</i>	Returns the QName of the element which contains the 'IN Message' within the response message
resultElementName	<i>javax.xml.namespace.QName</i>	Returns the QName of the element which contains the message which was produced by the enricherTarget within the response message
service	<i>javax.xml.namespace.QName</i>	The qualified name of the service the endpoint exposes.
store	<i>org.apache.servicemix.store.Store</i>	Configure the store to use. If none is explicitly configured, the storeFactory will be used to create one.
storeFactory	<i>org.apache.servicemix.store.StoreFactory</i>	The store factory to use when creating a store. If no factory is explicitly defined, an in-memory only factory will be created.
target	org.apache.servicemix.eip.support.ExchangeTarget	The target where the enriched exchanges are sent.
timerManager	<i>org.apache.servicemix.timers.TimerManager</i>	The timer manager to use for this endpoint. If none is explicitly configured, a default implementation will be provided.
wSDLExchangeTarget	org.apache.servicemix.eip.support.ExchangeTarget	An exchange target pointing to a JBI endpoint that will be used to load the WSDL describing this endpoint. This can be used when the endpoint proxies another endpoint so that the same WSDL definition will be exposed."
wSDLResource	<i>org.springframework.core.io.Resource</i>	When specified, this spring resource will be used to load the WSDL that will be exposed as a description for this endpoint. This property can be used to explicitly define the WSDL to be exposed by this endpoint. This property takes precedence over the wSDLExchangeTarget property.

Eip Resequencer

A resequencer re-orders incoming In-Only or Robust-In-Only exchanges and sends them synchronously to a targets service. Synchronous sending ensures that messages arrive in correct order at the target service. This component implements the [Resequencer](#) pattern.



It works on (continuous) streams of message exchanges using a timeout policy. Since the resequencer doesn't make batch reads there's no need to know the number of messages to be re-ordered in advance (although a `capacity` parameter prevents the resequencer from running out of memory). If the maximum out-of-sequence time difference between messages in a message stream is known, the resequencer's `timeout` parameter should be set to this value (milliseconds). In this case it is guaranteed that all elements of a stream are delivered in correct order to the target service. The lower the `timeout` value is compared to the out-of-sequence time difference the higher is the probability for out-of-sequence messages sent by this resequencer. Large `timeout` values should be supported by sufficiently high `capacity` values.

For comparing elements of a sequence the resequencer component can be configured with a sequence element comparator. A default comparator is provided that compares message exchanges based on `Long` sequence numbers. This comparator expects the sequence number to be the value of the `org.apache.servicemix.eip.sequence.number` property of the exchanges's `in\NormalizedMessage`. The name of the property can be customized in the comparator configuration (see below). You may also provide a custom comparator by implementing the [SequenceElementComparator](#) interface.

```
<eip:resequencer
  service="sample:Resequencer"
  endpoint="ResequencerEndpoint"
  comparator="#comparator"
  capacity="100"
  timeout="2000">
  <eip:target>
    <eip:exchange-target service="sample:SampleTarget" />
  </eip:target>
</eip:resequencer>
<!-- Configure default comparator with custom sequence number property -->
<eip:default-comparator id="comparator" sequenceNumberKey="seqnum"/>
```

A running example can be downloaded from [here](#). In this example, a custom-coded message sender sends messages in "wrong" order to the resequencer. The resequencer re-orders these messages and (synchronously) sends them to a file sender-endpoint. The file sender-endpoint writes the messages (in proper order) to the `work/output` directory.

Endpoint properties

Property Name	Type	Description
capacity	<i>int</i>	The capacity of this resequencer. The capacity determines the maximum number of message that will be kept in memory to put the messages back in sequence. This determine how far two messages can be in the list of messages while still being put back in sequence.
comparator	<i>org.apache.servicemix.eip.support.resequence.SequenceElementComparator</i>	The comparator used to determine the sequence order of elements.
endpoint	<i>java.lang.String</i>	The name of the endpoint.
interfaceName	<i>javax.xml.namespace.QName</i>	The qualified name of the interface exposed by the endpoint.
lockManager	<i>org.apache.servicemix.common.locks.LockManager</i>	The lock manager to use for this endpoint. If none is explicitly specified a default implementation will be provided.
service	<i>javax.xml.namespace.QName</i>	The qualified name of the service the endpoint exposes.
store	<i>org.apache.servicemix.store.Store</i>	Configure the store to use. If none is explicitly configured, the storeFactory will be used to create one.
storeFactory	<i>org.apache.servicemix.store.StoreFactory</i>	The store factory to use when creating a store. If no factory is explicitly defined, an in-memory only factory will be created.
target	<i>org.apache.servicemix.eip.support.ExchangeTarget</i>	
timeout	<i>long</i>	Set the timeout of this resequencer. This specifies the maximum number of milliseconds that can elapse between two out-of-sync messages.

timerManager	<i>org.apache.servicemix.timers.TimerManager</i>	The timer manager to use for this endpoint. If none is explicitly configured, a default implementation will be provided.
wsdlExchangeTarget	org.apache.servicemix.eip.support.ExchangeTarget	An exchange target pointing to a JBI endpoint that will be used to load the WSDL describing this endpoint. This can be used when the endpoint proxies another endpoint so that the same WSDL definition will be exposed."
wsdlResource	<i>org.springframework.core.io.Resource</i>	When specified, this spring resource will be used to load the WSDL that will be exposed as a description for this endpoint. This property can be used to explicitly define the WSDL to be exposed by this endpoint. This property takes precedence over the wsdlExchangeTarget property.

Async Bridge

The AsyncBridge expects an InOut mep as input. It then uses the exchange id of the InOut mep as the correlation id and creates an InOnly message by copying the input message and sends it to the target (with the correlation id set as a property). Next it expects an InOnly to come back with the same correlation id property. When this happens, the message is copied to the out message of the original exchange and sent back. If no response is received during the configured amount of time (timeout property in milliseconds), an error will be sent back to the original consumer.

```
<eip:async-bridge
  service="sample:AsyncBridge"
  endpoint="AsyncBridgeEndpoint"
  <eip:target>
    <eip:exchange-target service="sample:SampleTarget" />
  </eip:target>
</eip:async-bridge>
```

Correlation Id

There is a convention between the AsyncBridge and the target on how the correlation id is transmitted. The correlation id can only be transmitted from the AnsyncBridge to the target using a message property . The property name can be customized. On the other hand, the correlation id coming back from the target could be set in a message property or the message payload. The

Apache ServiceMix 4.4.0

AsyncBridge could use an Expression to extract the correlation id from the message returning from the target.

```
<eip:async-bridge
  service="sample:AsyncBridge"
  endpoint="AsyncBridgeEndpoint"
  responseCorrIdProperty="correlationIdProperty"
  responseCorrId="#responseCorrIdExpression">
  <eip:target>
    <eip:exchange-target service="sample:SampleTarget" />
  </eip:target>
</eip:async-bridge>

<bean id="responseCorrIdExpression" class="org.apache.servicemix.expression.JAXPStringXPathExpression"
  <constructor-arg value="/my-response/message/@corrId"/>
</bean>
```

As you can see from the sample above the responseCorrIdProperty is used to set the name of the property that the target will query to get the correlation id sent by the AsyncBridge. In other words, the target will do something like this to extract the correlation id

```
String correlationId = exchange.getProperty("correlationIdProperty");
```

The responseCorrId is set with an instance of type `org.apache.servicemix.expression.Expression`, in this case the class `org.apache.servicemix.expression.JAXPStringXPathExpression`. This expression resolves the location of the correlation id coming back from the target. In the above example the expression shows that the correlation id comes as part of the message payload in an attribute called "corrId" of the `/my-response/message` element. In a similar manner the class `org.apache.servicemix.expression.PropertyExpression` could have been used to locate the correlation id in a message property.

Endpoint properties

Property Name	Type	Description
endpoint	<i>java.lang.String</i>	The name of the endpoint.
interfaceName	<i>javax.xml.namespace.QName</i>	The qualified name of the interface exposed by the endpoint.
lockManager	<i>org.apache.servicemix.common.locks.LockManager</i>	The lock manager to use for this endpoint. If none is explicitly specified a default implementation will be provided.
requestCorrId	<i>org.apache.servicemix.expression.Expression</i>	The expression used to compute the correlation id used to correlate the response and the request. The default behavior is to use the exchange id of the incoming In-Out exchange as the correlation id.
responseCorrId	<i>org.apache.servicemix.expression.Expression</i>	The expression used to compute the correlation id from the response exchange. The value computed by this expression must match the one from the <code>{@link #setRequestCorrId}</code> expression. The default value is null, but if no specific expression is configured, an expression will be created which will extract the

Apache ServiceMix 4.4.0

		<p>response correlation id from the <code>{@link #setResponseCorrIdProperty(String)}</code> property on the exchange.</p>
responseCorrIdProperty	<i>java.lang.String</i>	<p>Name of the property used by default to compute the correlation id on the response exchange.</p>
service	<i>javax.xml.namespace.QName</i>	<p>The qualified name of the service the endpoint exposes.</p>
store	<i>org.apache.servicemix.store.Store</i>	<p>Configure the store to use. If none is explicitly configured, the <code>storeFactory</code> will be used to create one.</p>
storeFactory	<i>org.apache.servicemix.store.StoreFactory</i>	<p>The store factory to use when creating a store. If no factory is explicitly defined, an in-memory only factory will be created.</p>
target	org.apache.servicemix.eip.support.ExchangeTarget	<p>The target which will be used to send an In-Only or Robust-In-Only exchange to. When receiving an In-Out exchange, the async bridge will create an In-Only request and send it to the specified target. It then expects another In-Only exchange to come back as the response, which will be set as the Out message on the In-Out exchange. This property is mandatory and must be set to a valid target.</p>
timeout	<i>long</i>	<p>The timeout property controls the amount of time that the async bridge will wait for the response after having sent the request. The default value is 0 which means that no timeout apply. If set to a non zero value, a timer will be started when after the request is sent. When the timer expires, the In-Out exchange will be sent back with an error status and a <code>{@link java.util.concurrent.TimeoutException}</code> as the cause of the error. The value represents the number of milliseconds to wait.</p>
timerManager	<i>org.apache.servicemix.timers.TimerManager</i>	<p>The timer manager to use for this endpoint. If none is explicitly configured, a default implementation will be provided.</p>
useRobustInOnly	<i>boolean</i>	<p>Boolean flag to control if In-Only or Robust-In-Only exchange should be used when sending the request. The default value is <code><code>>false</code></code> which means that an In-Only exchange will be used. When using a Robust-In-Only exchange and when a fault is received, this fault will be sent back to the consumer on the In-Out exchange and the response exchange (if any) would be discarded. For both In-Only and Robust-In-Only, if the request exchange comes back with an Error status, this error will be conveyed back to the consumer in the same way.</p>

wSDLExchangeTarget	org.apache.servicemix.eip.support.ExchangeTarget	An exchange target pointing to a JBI endpoint that will be used to load the WSDL describing this endpoint. This can be used when the endpoint proxies another endpoint so that the same WSDL definition will be exposed."
wSDLResource	org.springframework.core.io.Resource	When specified, this spring resource will be used to load the WSDL that will be exposed as a description for this endpoint. This property can be used to explicitly define the WSDL to be exposed by this endpoint. This property takes precedence over the wSDLExchangeTarget property.

Tips

ExchangeTarget

All patterns use the `<exchange-target />` tag to specify the target of a JBI exchange. This element has the following attributes:

Name	Type	Description
interface	QName	the QName of the target interface. One of service or interface attribute is required
operation	QName	the QName of the target operation (optional)
service	QName	the QName of the target service. One of service or interface attribute is required
endpoint	String	the name of the target JBI endpoint, only used when service is set
uri	String	uri used to target the exchange (see URIs)

If you want to target a given interface, just set the interface attribute. Else you have to set the service attribute, and optionally the endpoint attribute if you want to specify the JBI endpoint instead of a service name.

NamespaceContext

Some patterns use XPath expression. To use such expressions on an xml with namespaces, you need to define a NamespaceContext.

This NamespaceContext can be referenced by a `namespaceContext` attribute as shown in the XPathSplitter or MessageFilter examples.

Predicates

Some patterns uses predicates to test a given JBI exchange. The only predicate currently implemented is the XPathPredicate, but you can implement your own and deploy it with the service unit.

Configuring temporary message storage

Many of the pattern implementation need to store MessageExchanges temporarily. An example: the aggregator will need to keep track of the MessageExchange it is aggregating. By default, the EIPs use a plain MemoryStoreFactory to create in-memory stores, but there are other options. If you set the timeout property on the MemoryStoreFactory, it will evict old object from the in-memory

Apache ServiceMix 4.4.0

store to avoid a memory leak. You can also use a `JDBCStoreFactory` to store data in a database instead of in memory.

Example: to use an in-memory store with timeout for a storing active and closed aggregations in a `<split-aggregator/>`, you can do

```
<eip:split-aggregator service="test:aggregator" endpoint="endpoint"
                    storeFactory="#StoreFactory" closedAggregateStoreFactory="#StoreFactory">
  <eip:target>
    <eip:exchange-target service="test:trace5" />
  </eip:target>
</eip:split-aggregator>

<bean id="StoreFactory" class="org.apache.servicemix.store.MemoryStoreFactory">
  <property name="timeout" value="120000"/> <!-- 2 minute timeout -->
</bean>
```

Creating your own patterns

Some classes have been designed to be extensible, this includes:

- `org.apache.servicemix.eip.support.AbstractAggregator`
- `org.apache.servicemix.eip.support.AbstractSplitter`

2.7. servicemix-exec

Overview

The ServiceMix Exec component is used to invoke commands (executables, binaries, shell commands, shell scripts, etc). The command can be static (defined in the endpoint attributes) or dynamic (provided in the incoming message, including arguments).

Namespace and xbean.xml

The namespace URI for the `servicemix-exec` component is `http://servicemix.apache.org/exec/1.0`. The is an example of `<filename>xbean.xml</filename>` with a namespace definition with prefix `exec`.

```
<beans xmlns:exec="http://servicemix.apache.org/exec/1.0">
  <!-- add exec:endpoint definitions here -->
</beans>
```

Endpoints types

The ServiceMix Exec component only defines one endpoint, called `exec:endpoint`.

Endpoint `exec:endpoint`

Endpoint properties

Property Name	Type	Description
command	<i>java.lang.String</i>	<p> This attribute specifies the default command to use if no is provided in the incoming message. </p> <i> nbsp; he default value is <code>>null</code>.
endpoint	<i>java.lang.String</i>	The name of the endpoint.
interfaceName	<i>javax.xml.namespace.QName</i>	The qualified name of the interface exposed by the endpoint.
marshaller	<i>org.apache.servicemix.exec.marshaler.ExecMarshalerSupport</i>	<p> With this method you can specify a marshaller class which provides the logic for converting a message into a execution command. This class has to implement the interface class <code>ExecMarshalerSupport</code>. If you don't specify a marshaller, the <code>DefaultExecMarshaler</code> will be used. </p>
service	<i>javax.xml.namespace.QName</i>	The qualified name of the service the endpoint exposes.
wSDL	<i>org.springframework.core.io.Resource</i>	<p> This attribute specifies the abstract WSDL describing the endpoint behavior. </p>

Abstract WSDL

TODO

How it works

TODO

2.8. servicemix-file

Overview

The ServiceMix File component provides JBI integration to the file system. It can be used to read & write files via URI or to periodically poll directories for new files.

Namespace and xbean.xml

The namespace URI for the servicemix-bean JBI component is `http://servicemix.apache.org/file/1.0`. This is an example of an `xbean.xml` file with a namespace definition with prefix `bean`.

```
<beans xmlns:file="http://servicemix.apache.org/file/1.0">
  <!-- add file:poller and file:sender definitions here -->
</beans>
```

Endpoint types

The servicemix-file component defines two endpoint type:

- `file:poller` :: Periodically polls a directory for files and sends an exchange for every file
- `file:sender` :: Writes the contents of an exchange to a file

file:poller

Endpoint properties

Property Name	Type	Description
archive	<i>java.io.File</i>	Specifies a directory relative to the polling directory archived.
autoCreateDirectory	<i>boolean</i>	Specifies if the endpoint should create the target directory if it does not exist. If you set this to <code>false</code> and the target directory does not exist the endpoint will not do anything. Default value is <code>true</code> .
comparator	<i>java.util.Comparator</i>	Specifies a <code>Comparator</code> which will be used to sort the files before starting to process. The default is null, meaning that the <code>Comparator</code> objects are implemented by <code>java.util.Comparator</code> .
component	org.apache.servicemix.common.DefaultComponent	
concurrentPolling	<i>boolean</i>	Sets whether more than one poll can be active at a time. Default value is <code>false</code> .
delay	<i>long</i>	Sets the amount of time in milliseconds that the endpoint will wait before making the first poll.
deleteFile	<i>boolean</i>	Specifies if files should be deleted after they are processed. Default value is <code>true</code> .
endpoint	<i>java.lang.String</i>	The name of the endpoint.
file	<i>java.io.File</i>	Specifies the file or directory to be polled. If it is a directory, only its sub-directories will be processed by the endpoint. If it is a file, only files matching the filename will be processed.
filter	<i>java.io.FileFilter</i>	Bean defining the class implementing the file filter. It must be an implementation of the <code>java.io.FileFilter</code> interface.
firstTime	<i>java.util.Date</i>	Sets the date on which the first poll will be executed. If <code>setDelay</code> is specified, the delay interval will be calculated from this date.
interfaceName	<i>javax.xml.namespace.QName</i>	The qualified name of the interface exposed by the endpoint.
lockManager	<i>org.apache.servicemix.common.locks.LockManager</i>	Bean defining the class implementing the file locking. It must be an implementation of the <code>org.apache.servicemix.locks.LockManager</code> interface. This will be set to an instance of <code>org.apache.servicemix.common.locks.impl.LockManager</code> .
marshaller	<i>org.apache.servicemix.components.util.FileMarshaler</i>	Specifies a <code>FileMarshaler</code> object that will be used to marshal the NMR. The default file marshaller can read valid NMR files. <code>FileMarshaler</code> objects are implemented by <code>org.apache.servicemix.components.util.FileMarshaler</code> .
maxConcurrent	<i>int</i>	How many open exchanges can be pending. Default value is 1. Set to 1...n to engage throttling.
period	<i>long</i>	Sets the number of milliseconds between polling at the endpoint.
recursive	<i>boolean</i>	Specifies if sub-directories are polled; if false then only the specified directory. If the endpoint is configured to poll a file then this attribute is ignored. Default value is <code>true</code> .
scheduler	<i>org.apache.servicemix.common.scheduler.Scheduler</i>	Set a custom Scheduler implementation if you need to override the polling schedule.

service	<i>javax.xml.namespace.QName</i>	The qualified name of the service the endpoint exports
serviceUnit	<i>org.apache.servicemix.common.ServiceUnit</i>	
targetEndpoint	<i>java.lang.String</i>	the name of the endpoint to which requests are sent
targetInterface	<i>javax.xml.namespace.QName</i>	the QName of the interface to which requests are sent
targetOperation	<i>javax.xml.namespace.QName</i>	the QName of the operation to which requests are sent
targetService	<i>javax.xml.namespace.QName</i>	the QName of the service to which requests are sent
targetUri	<i>java.lang.String</i>	Set the target service/endpoint/interface using a URI

file:sender

Endpoint properties

Property Name	Type	Description
append	<i>boolean</i>	Specifies if the endpoint appends data to existing files or overwrites existing files. The default is for the endpoint to overwrite existing files. Setting this to <code><code>true</code></code> instructs the endpoint to append data. Default value is <code><code>false</code></code> .
autoCreateDirectory	<i>boolean</i>	Specifies if the endpoint should create the target directory if it does not exist. If you set this to <code><code>false</code></code> and the directory does not exist, the endpoint will not do anything. Default value is <code><code>true</code></code> .
component	org.apache.servicemix.file.FileComponent	
directory	<i>java.io.File</i>	Specifies the directory where the endpoint writes files.
endpoint	<i>java.lang.String</i>	The name of the endpoint.
interfaceName	<i>javax.xml.namespace.QName</i>	The qualified name of the interface exposed by the endpoint.
marshaller	<i>org.apache.servicemix.components.util.FileMarshaler</i>	Specifies a <code><code>FileMarshaler</code></code> object that converts the message data from the NMR into a file. The default implementation is <code><code>FileMarshaler</code></code> . Other implementations of <code><code>org.apache.servicemix.components.util.FileMarshaler</code></code> are available.
overwrite	<i>boolean</i>	Specifies if the endpoint overwrites existing files or appends to existing files for the endpoint to not overwrite existing files. Setting this to <code><code>true</code></code> instructs the endpoint to overwrite existing files. Default value is <code><code>false</code></code> .
service	<i>javax.xml.namespace.QName</i>	The qualified name of the service the endpoint exports
tempFilePrefix	<i>java.lang.String</i>	Specifies a string to prefix to the beginning of generated file names.
tempFileSuffix	<i>java.lang.String</i>	Specifies a string to append to generated file names.

2.9. servicemix-ftp

Overview

The ServiceMix FTP component provides JBI integration to the FTP servers. It can be used to read & write files over FTP or to periodically poll directories for new files.

Namespace and xbean.xml

The namespace URI for the servicemix-bean JBI component is `http://servicemix.apache.org/ftp/1.0`. This is an example of an `xbean.xml` file with a namespace definition with prefix `bean`.

```
<beans xmlns:ftp="http://servicemix.apache.org/ftp/1.0">
  <!-- add ftp:poller and ftp:sender definitions here -->
</beans>
```

Endpoint types

The servicemix-ftp component defines two endpoint type:

- `ftp:poller` :: Periodically polls a directory on an FTP server for files and sends an exchange for every file
- `ftp:sender` :: Writes the contents of an exchange to a file on an FTP server

ftp:poller

Endpoint properties

Property Name	Type	Description
archive	<i>java.net.URI</i>	Specifies a directory relative to the polling directory to which processed files are archived.
autoCreateDirectory	<i>boolean</i>	Specifies if the endpoint should create the target directory, if it does not already exist. If you set this to <code><code>>false</code></code> and the directory does not exist, the endpoint will not do anything. Default value is <code><code>>true</code></code> .
changeWorkingDirectory	<i>boolean</i>	When set to <code><code>>true</code></code> , the poller will do an explicit <code><code>cwd</code></code> into the directory to be polled. Default to <code><code>>false</code></code> . Recursive polling will not be possible if this feature is enabled.
clientPool	org.apache.servicemix.ftp.FTPClientPool	Set a custom FTPClientPool. If this property has not been set, the FTP client pool will be created based on the information provided in the URI.
component	org.apache.servicemix.common.DefaultComponent	the <code><code>component</code></code> implementation to use
concurrentPolling	<i>boolean</i>	Sets whether more than one poll can be active at a time (true means yes). Default value is <code><code>>false</code></code> .
delay	<i>long</i>	Sets the amount of time in milliseconds that the endpoint should wait before making the first poll.

Apache ServiceMix 4.4.0

deleteFile	<i>boolean</i>	Delete the file after it has been successfully processed? Defaults to <code><code>true</code></code>
endpoint	<i>java.lang.String</i>	The name of the endpoint.
filter	<i>java.io.FileFilter</i>	Sets the filter to select which files have to be processed. When not set, all files will be picked up by the poller.
firstTime	<i>java.util.Date</i>	Sets the date on which the first poll will be executed. If a delay is also set using <code><code>setDelay</code></code> , the delay interval will be added after the date specified.
interfaceName	<i>javax.xml.namespace.QName</i>	The qualified name of the interface exposed by the endpoint.
lockManager	<i>org.apache.servicemix.common.locks.LockManager</i>	Set a custom LockManager implementation for keeping track of which files are already being processed. The default implementation is a simple, in-memory lock management system.
marshaller	<i>org.apache.servicemix.components.util.FileMarshaler</i>	Set a custom FileMarshaler implementation to control how the file contents is being translated into a JBI message. The default implementation reads XML contents from the file.
period	<i>long</i>	Sets the number of milliseconds between polling attempts.
recursive	<i>boolean</i>	Specifies whether subdirectories should be polled. Defaults to <code><code>true</code></code>
scheduler	<i>org.apache.servicemix.common.scheduler.Scheduler</i>	Set a custom Scheduler implementation if you need more fine-grained control over the polling schedule.
service	<i>javax.xml.namespace.QName</i>	The qualified name of the service the endpoint exposes.
serviceUnit	<i>org.apache.servicemix.common.ServiceUnit</i>	
stateless	<i>boolean</i>	When set to <code><code>>false</code></code>
targetEndpoint	<i>java.lang.String</i>	the name of the endpoint to which requests are sent
targetInterface	<i>javax.xml.namespace.QName</i>	the QName of the interface to which requests are sent
targetOperation	<i>javax.xml.namespace.QName</i>	Set the operation to be invoked on the target service.
targetService	<i>javax.xml.namespace.QName</i>	the QName of the service to which requests are sent
targetUri	<i>java.lang.String</i>	Set the target service/endpoint/interface using a URI.

uri	<i>java.net.URI</i>	Configures the endpoint from a URI.
-----	---------------------	-------------------------------------

ftp:sender

Endpoint properties

Property Name	Type	Description
autoCreateDirectory	<i>boolean</i>	Specifies if the endpoint should create the target directory, if it does not already exist. If you set this to <code>false</code> and the directory does not exist, the endpoint will not do anything. Default value is <code>true</code> .
checkDuplicates	<i>boolean</i>	Specifies whether duplicates should be checked. Defaults to <code>true</code> .
clientPool	<i>org.apache.servicemix.ftp.FTPClientPool</i>	Set a custom FTPClientPool. If this property has not been set, the FTP client pool will be created based on the information provided in the URI.
component	<i>org.apache.servicemix.ftp.FtpComponent</i>	
endpoint	<i>java.lang.String</i>	The name of the endpoint.
interfaceName	<i>javax.xml.namespace.QName</i>	The qualified name of the interface exposed by the endpoint.
marshaller	<i>org.apache.servicemix.components.util.FileMarshaler</i>	Set a custom FileMarshaler implementation to control how the file contents is being translated into a JBI message. The default implementation reads XML contents from the file.
overwrite	<i>boolean</i>	Specifies if a file with the same name already exists on the FTP server, the file should be overwritten. Defaults to <code>false</code> .
service	<i>javax.xml.namespace.QName</i>	The qualified name of the service the endpoint exposes.
uniqueFileName	<i>java.lang.String</i>	Sets the name used to make a unique name if no file name is available on the message.
uploadPrefix	<i>java.lang.String</i>	Set the file name prefix used during upload. The prefix will be automatically removed as soon as the upload has completed. This allows other processes to discern completed files from files that are being uploaded.
uploadSuffix	<i>java.lang.String</i>	Set the file name suffix used during upload. The suffix will be automatically removed as soon as the upload has completed. This allows other processes to discern completed files from files that are being uploaded.

uri	<i>java.net.URI</i>	Configures the endpoint from a URI
-----	---------------------	------------------------------------

Examples

Using `ftp:pool` to configure the FTP connections

In order to gain more control over the FTP connection parameters (active/passive, timeout, ...) that are being used, you can define your own FTP connection pool. Afterward, you can refer to the pool object from both a sender and poller endpoint.

```
<?xml version="1.0"?>
<beans xmlns:ftp="http://servicemix.apache.org/ftp/1.0"
       xmlns:sample="urn:servicemix:example">

  <ftp:sender service="sample:sender" endpoint="endpoint"
            uri="ftp://localhost/myfolder"
            clientPool="#clientPool"/>

  <ftp:pool id="clientPool" username="myname" password="$secret"
           dataTimeout="90000" />

</beans>
```

The table below shows the full list of options offered by `ftp:pool`:

Property Name	Type	Description
address	<i>java.net.InetAddress</i>	Set the remote internet address to connect to.
binaryMode	<i>boolean</i>	Use binary mode transfers. Defaults to <code><code>true</code></code> .
config	<i>org.apache.commons.net.ftp.FTPClientConfig</i>	Configure a custom FTPClientConfig instance to allow more fine-grained control over the FTP connections in the pool.
controlEncoding	<i>java.lang.String</i>	Configure the encoding used in the FTP control connections. Defaults to <code><code>ISO-8859-1</code></code>
dataTimeout	<i>int</i>	Specifies a timeout used on the FTP data connection. Defaults to <code><code>120000</code></code>
host	<i>java.lang.String</i>	Set the remote host name to connect to.
localAddress	<i>java.net.InetAddress</i>	Set the local IP address to be used when establishing the connection.
localPort	<i>int</i>	Set the local TCP/IP port to be used when establishing the connection.
passiveMode	<i>boolean</i>	Use passive mode FTP transfers. Defaults to <code><code>false</code></code>
password	<i>java.lang.String</i>	Set the password for logging into the FTP server.
pool	<i>org.apache.commons.pool.ObjectPool</i>	Set a custom ObjectPool instance to use for the connection pooling.
port	<i>int</i>	Set the remote port number to connect to.
username	<i>java.lang.String</i>	Set the login to use to access the FTP server.

If you need even more fine-grained control over the FTP connections or the way the payloads are being handled, have a look at the [Camel FTP](#) component, which offers a lot of options out of the box, but also allows setting any property on its underlying Commons NET [FTPClient](#) and [FTPClientConfig](#) instances.

2.10. servicemix-http

Overview

ServiceMix ships with a JBI compliant HTTP/SOAP binding component named `servicemix-http`.

Here are the main features:

- JBI compliant Binding Component
- Usable in a lightweight mode in `servicemix.xml` configuration files
- Integrated HTTP server based on Jetty 6
- HTTP Client using Jakarta Commons HTTP Client
- Highly performant and scalable using Jetty 6 continuations
- SOAP 1.1 and 1.2 support
- MIME attachments
- WS-Addressing support
- WSDL based and XBean based deployments
- Support for all MEPs as consumers or providers
- SSL support
- WS-Security support

Namespace and xbean.xml

The namespace URI for the `servicemix-bean` JBI component is `http://servicemix.apache.org/http/1.0`. This is an example of an `xbean.xml` file with a namespace definition with prefix `bean`.

```
<beans xmlns:http="http://servicemix.apache.org/http/1.0">
  <!-- add http:consumer, http:soap-consumer
        http:provider and http:soap:provider definitions here -->
</beans>
```

Endpoint types

The `servicemix-http` component defines four endpoint type:

- `http:consumer` :: This endpoint allows you to expose a service in the ESB to the outside world over HTTP. Whenever it receives an HTTP request, it will interact with the configured services on the ESB to provide the HTTP response.
- `http:soap-consumer` :: Similar to `http:consumer`, but specifically geared towards handling SOAP requests and responses
- `http:provider` :: This endpoint allows you to access remote services from within the ESB. It will perform an external HTTP request whenever it receives a JBI MessageExchange
- `http:soap-provider` :: Similar to `http:provider`, but specifically geared towards performing SOAP requests

It also provides one additional legacy endpoints, which are still available to ease migration from ServiceMix 3:

- `http:endpoint` :: (Deprecated) Legacy endpoint, capable to acting as a consumer or provider based on the configuration

http:endpoint

Endpoint properties

Property Name	Type	Description
authMethod	<i>java.lang.String</i>	a string naming the scheme used for authenticating users
basicAuthentication	org.apache.servicemix.http.BasicAuthCredentials	authentication data for using basic HTTP authentication.
binding	<i>javax.wsdl.extensions.ExtensibilityElement</i>	
defaultMep	<i>java.net.URI</i>	
defaultOperation	<i>javax.xml.namespace.QName</i>	
description	<i>org.w3c.dom.Document</i>	
dynamic	<i>boolean</i>	
endpoint	<i>java.lang.String</i>	The name of the endpoint.
interfaceName	<i>javax.xml.namespace.QName</i>	The qualified name of the interface exposed by the endpoint.
locationURI	<i>java.lang.String</i>	the URI to which a provider endpoint sends requests
policies	<i>(java.lang.Object)*</i>	
proxy	org.apache.servicemix.http.ProxyParameters	configuration used to establish a proxy for sending HTTP requests. This configuration overrides that which is set at the component level.
responseContentTypeCheck	<i>boolean</i>	Specifies if the http provider checks the response content type for the
role	<i>java.lang.String</i>	HTTP endpoints can be either consumers or providers. Specifying

Apache ServiceMix 4.4.0

roleAsString	<i>java.lang.String</i>	
service	<i>javax.xml.namespace.QName</i>	The qualified name of the service the endpoint exposes.
soap	<i>boolean</i>	
soapAction	<i>java.lang.String</i>	
soapVersion	<i>java.lang.String</i>	
ssl	org.apache.servicemix.http.SslParameters	a bean containing the SSL configuration properties
synchronous	<i>boolean</i>	
targetEndpoint	<i>java.lang.String</i>	
targetInterfaceName	<i>javax.xml.namespace.QName</i>	
targetService	<i>javax.xml.namespace.QName</i>	
timeout	<i>int</i>	the number of milliseconds before the endpoint times out. The default value is 0 which means that the endpoint will never timeout.
wantContentTypeHeaderFromExchangeIntoHttpRequest	<i>boolean</i>	Specifies if the HTTP provider will copy the HTTP request headers into the JBI
wSDLResource	<i>org.springframework.core.io.Resource</i>	

http:consumer

Endpoint properties

Property Name	Type	Description
authMethod	<i>java.lang.String</i>	a string naming the scheme used for authenticating users
component	org.apache.servicemix.common.DefaultComponent	
defaultMep	<i>java.net.URI</i>	a URI representing the endpoint's default MEP. The default is
endpoint	<i>java.lang.String</i>	The name of the endpoint.
interfaceName	<i>javax.xml.namespace.QName</i>	The qualified name of the interface exposed by the endpoint.
locationURI	<i>java.lang.String</i>	the URI at which the endpoint listens for requests
marshaller	org.apache.servicemix.http.endpoints.HttpConsumerMarshaller	the bean used to marshal HTTP messages. The default is a

Apache ServiceMix 4.4.0

service	<i>javax.xml.namespace.QName</i>	The qualified name of the service the endpoint exposes.
serviceUnit	<i>org.apache.servicemix.common.ServiceUnit</i>	
ssl	org.apache.servicemix.http.SslParameters	a bean containing the SSL configuration properties
targetEndpoint	<i>java.lang.String</i>	the name of the endpoint to which requests are sent
targetInterface	<i>javax.xml.namespace.QName</i>	the QName of the interface to which requests are sent
targetOperation	<i>javax.xml.namespace.QName</i>	the QName of the operation to which requests are sent
targetService	<i>javax.xml.namespace.QName</i>	the QName of the service to which requests are sent
targetUri	<i>java.lang.String</i>	Set the target service/ endpoint/interface using a URI.
timeout	<i>long</i>	the timeout is specified in milliseconds. The default value is 0 which

http:provider

Endpoint properties

Property Name	Type	Description
clientSoTimeout	<i>int</i>	the number of milliseconds the endpoint will block while attempting to read a request. The default value is 60000. Setting this to 0 specifies that the endpoint will never timeout.
component	org.apache.servicemix.common.DefaultComponent	
credentials	<i>java.lang.String</i>	The authentication credentials
endpoint	<i>java.lang.String</i>	The name of the endpoint.
expectGzippedResponse	<i>boolean</i>	If true, the accept-encoding http header will be set to gzip and the response will be un-gzipped.
gzipRequest	<i>boolean</i>	If true, the request content will be gzipped and sent over the wire. The content-encoding http header will also be set to gzip.
interfaceName	<i>javax.xml.namespace.QName</i>	The qualified name of the interface exposed by the endpoint.
locationURI	<i>java.lang.String</i>	the URI to which the endpoint sends requests

Apache ServiceMix 4.4.0

marshaller	<i>org.apache.servicemix.http.endpoints.HttpProviderMarshaler</i>	the bean used to marshal HTTP messages. The default is a
principal	<i>java.lang.String</i>	The authentication principal
providerExpirationTime	<i>int</i>	the number of milliseconds to wait for a response before expiring.
proxyHost	<i>java.lang.String</i>	the host name of the HTTP proxy
proxyPassword	<i>java.lang.String</i>	the password for the HTTP proxy authentication
proxyPort	<i>int</i>	the host port of the HTTP proxy (defaults to 80)
proxyUsername	<i>java.lang.String</i>	the user name for the HTTP proxy authentication
service	<i>javax.xml.namespace.QName</i>	The qualified name of the service the endpoint exposes.
serviceUnit	<i>org.apache.servicemix.common.ServiceUnit</i>	
ssl	org.apache.servicemix.http.SslParameters	the SSL parameters

http:soap-consumer

Endpoint properties

Property Name	Type	Description
authMethod	<i>java.lang.String</i>	a string naming the scheme used for authenticating users
component	org.apache.servicemix.common.DefaultComponent	
defaultMep	<i>java.net.URI</i>	a URI representing the endpoint's default MEP. The default is
endpoint	<i>java.lang.String</i>	The name of the endpoint.
interfaceName	<i>javax.xml.namespace.QName</i>	The qualified name of the interface exposed by the endpoint.
locationURI	<i>java.lang.String</i>	the URI at which the endpoint listens for requests
marshaller	org.apache.servicemix.http.endpoints.HttpConsumerMarshaler	the bean used to marshal HTTP messages. The default is a
policies	<i>(org.apache.servicemix.soap.api.Policy)*</i>	a list of interceptors that will process messages
service	<i>javax.xml.namespace.QName</i>	The qualified name of the service the endpoint exposes.
serviceUnit	<i>org.apache.servicemix.common.ServiceUnit</i>	
soapVersion	<i>java.lang.String</i>	Specifies the SOAP version to use when generating a wsdl binding for

Apache ServiceMix 4.4.0

ssl	org.apache.servicemix.http.SslParameters	a bean containing the SSL configuration properties
targetEndpoint	<i>java.lang.String</i>	the name of the endpoint to which requests are sent
targetInterface	<i>javax.xml.namespace.QName</i>	the QName of the interface to which requests are sent
targetOperation	<i>javax.xml.namespace.QName</i>	the QName of the operation to which requests are sent
targetService	<i>javax.xml.namespace.QName</i>	the QName of the service to which requests are sent
targetUri	<i>java.lang.String</i>	Set the target service/ endpoint/interface using a URI.
timeout	<i>long</i>	the timeout is specified in milliseconds. The default value is 0 which
useJbiWrapper	<i>boolean</i>	Specifies if the JBI wrapper is sent in the body of the message. Default is
validateWsdL	<i>boolean</i>	Specifies if the WSDL is checked for WSI-BP compliance. Default is <code><code>true</code></code> .
wsdl	<i>org.springframework.core.io.Resource</i>	the URL of the WSDL document defining the endpoint's messages

http:soap-provider

Endpoint properties

Property Name	Type	Description
clientSoTimeout	<i>int</i>	the number of milliseconds the endpoint will block while attempting to read a request. The default value is 60000. Setting this to 0 specifies that the endpoint will never timeout.
component	org.apache.servicemix.common.DefaultComponent	
credentials	<i>java.lang.String</i>	The authentication credentials
endpoint	<i>java.lang.String</i>	The name of the endpoint.
expectGzippedResponse	<i>boolean</i>	If true, the accept-encoding http header will be set to gzip and the response will be un-gzipped.
gzipRequest	<i>boolean</i>	If true, the request content will be gzipped and sent over the wire. The content-encoding http header will also be set to gzip.

Apache ServiceMix 4.4.0

interfaceName	<i>javax.xml.namespace.QName</i>	The qualified name of the interface exposed by the endpoint.
locationURI	<i>java.lang.String</i>	the URI to which the endpoint sends requests
marshaller	<i>org.apache.servicemix.http.endpoints.HttpProviderMarshaler</i>	the bean used to marshal HTTP messages. The default is a
policies	<i>(org.apache.servicemix.soap.api.Policy)*</i>	a list of interceptors that will process messages
principal	<i>java.lang.String</i>	The authentication principal
providerExpirationTime	<i>int</i>	the number of milliseconds to wait for a response before expiring.
proxyHost	<i>java.lang.String</i>	the host name of the HTTP proxy
proxyPassword	<i>java.lang.String</i>	the password for the HTTP proxy authentication
proxyPort	<i>int</i>	the host port of the HTTP proxy (defaults to 80)
proxyUsername	<i>java.lang.String</i>	the user name for the HTTP proxy authentication
service	<i>javax.xml.namespace.QName</i>	The qualified name of the service the endpoint exposes.
serviceUnit	<i>org.apache.servicemix.common.ServiceUnit</i>	
ssl	org.apache.servicemix.http.SslParameters	the SSL parameters
useJbiWrapper	<i>boolean</i>	Specifies if the JBI wrapper is sent in the body of the message. Default is
validateWsdL	<i>boolean</i>	Specifies if the WSDL is checked for WSI-BP compliance. Default is <code><code>true</code></code>
wsdl	<i>org.springframework.core.io.Resource</i>	the URL of the WSDL document defining the endpoint's messages

2.11. servicemix-jms

Overview

ServiceMix ships with a JBI compliant JMS binding component named servicemix-jms.

Here are the main features:

- JBI compliant Binding Component
- Usable in a lightweight mode in servicemix.xml configuration files

Apache ServiceMix 4.4.0

- SOAP 1.1 and 1.2 support
- MIME attachments
- WS-Addressing support
- WSDL based and XBean based deployments
- Support for all MEPs as consumers or providers

Namespace and xbean.xml

The namespace URI for the servicemix-bean JBI component is `http://servicemix.apache.org/jms/1.0`. This is an example of an `xbean.xml` file with a namespace definition with prefix `bean`.

```
<beans xmlns:jms="http://servicemix.apache.org/jms/1.0">
  <!-- add jms:consumer, jms:soap-consumer, jms:jca-consumer,
        jms:provider, jms:soap-provider and jms:jca-provider definitions here -->
</beans>
```

Endpoint types

The `servicemix-jms` component defines six endpoint type:

- `jms:consumer` :: This endpoint allows you to expose a service in the ESB to the outside world over JMS. Whenever it receives a JMS message, it will interact with the configured services on the ESB.
- `jms:soap-consumer` :: Similar to `jms:consumer`, but specifically geared towards handling SOAP requests and responses
- `jms:jca-consumer` :: Similar to `jms:consumer`, but adds the possibility of using a JCA resource adapter
- `jms:provider` :: This endpoint allows you to access remote services from within the ESB. It will send a JMS message whenever it receives a JBI MessageExchange
- `jms:soap-provider` :: Similar to `jms:provider`, but specifically geared towards performing SOAP requests
- `jms:jca-provider` :: Similar to `jms:provider`, but adds the possibility of using a JCA resource adapter

It also provides one additional legacy endpoints, which are still available to ease migration from ServiceMix 3:

- `jms:endpoint` :: (Deprecated) Legacy endpoint, capable to acting as a consumer or provider based on the configuration

`jms:endpoint`

Endpoint properties

Property Name	Type	Description
<code>activationSpec</code>	<code>javax.resource.spi.ActivationSpec</code>	The <code>ActivationSpec</code> to use on a JCA consumer endpoint.
<code>bootstrapContext</code>	<code>javax.resource.spi.BootstrapContext</code>	The <code>BootstrapContext</code> to use for a JCA consumer endpoint.
<code>connectionFactory</code>	<code>javax.jms.ConnectionFactory</code>	A configured <code>ConnectionFactory</code> to use on this endpoint.
<code>defaultMep</code>	<code>java.net.URI</code>	

Apache ServiceMix 4.4.0

defaultOperation	<i>javax.xml.namespace.QName</i>	
description	<i>org.w3c.dom.Document</i>	
destination	<i>javax.jms.Destination</i>	A configured Destination to use on this endpoint.
destinationStyle	<i>java.lang.String</i>	Specifies the destination type used with the <code>javax.jms.ProviderDestinationName</code> . Can be <code>queue</code> or <code>topic</code> .
dynamic	<i>boolean</i>	
endpoint	<i>java.lang.String</i>	The name of the endpoint.
initialContextFactory	<i>java.lang.String</i>	The class name of the JNDI InitialContextFactory to use.
interfaceName	<i>javax.xml.namespace.QName</i>	The qualified name of the interface exposed by the endpoint.
javax.jms.ProviderDestinationName	<i>java.lang.String</i>	The name of the destination created by a call to <code>Session.createQueue</code> or <code>Session.createTopic</code> . This property is used when <code>destination</code> and <code>jndiDestinationName</code> are both <code>null</code> .
javax.jms.ProviderReplyToName	<i>java.lang.String</i>	The name of the reply destination created by a call to <code>Session.createQueue</code> or <code>Session.createTopic</code> . This property is used when <code>jndiReplyToName</code> is <code>null</code> . A temporary queue will be used if a <code>replyTo</code> is not provided.
jndiConnectionFactoryName	<i>java.lang.String</i>	The name of the JMS ConnectionFactory to lookup in JNDI. Used if <code>connectionFactory</code> is <code>null</code> .
jndiDestinationName	<i>java.lang.String</i>	The name of the JMS Destination to lookup in JNDI. Used if <code>destination</code> is <code>null</code> .
jndiProviderURL	<i>java.lang.String</i>	The provider URL used to create the JNDI context.
jndiReplyToName	<i>java.lang.String</i>	The name of the JMS Reply-to destination to lookup in JNDI. If this property is not set a temporary <code>replyTo</code> queue is used.
marshaller	<i>org.apache.servicemix.jms.JmsMarshaller</i>	Specifies the class implementing the logic for marshaling and unmarshaling messages between the JMS destination and the endpoint. Defaults to <code>DefaultJmsMarshaller</code> .
needJavaIdentifiers	<i>boolean</i>	Indicates if the JMS properties used by the endpoint need to be spec compliant.
policies	<i>(java.lang.Object)*</i>	
processorName	<i>java.lang.String</i>	Specifies the processor family to use for this endpoint. Can be: <ul style="list-style-type: none"><code>multiplexing</code>

Apache ServiceMix 4.4.0

		(default) <code>standard</code> <code>jca</code>
resourceAdapter	<i>javax.resource.spi.ResourceAdapter</i>	The ResourceAdapter to use on a JCA consumer endpoint.
role	<i>java.lang.String</i>	Specifies the role of this endpoint. Endpoints can be <code>consumer</code> or <code>provider</code>.
roleAsString	<i>java.lang.String</i>	
rollbackOnError	<i>boolean</i>	Indicates if the JBI exchange is rolled back if an error is encountered.
service	<i>javax.xml.namespace.QName</i>	The qualified name of the service the endpoint exposes.
soap	<i>boolean</i>	
soapVersion	<i>java.lang.String</i>	
store	<i>org.apache.servicemix.store.Store</i>	Specifies a persistent data store to hold pending exchanges for the endpoint.
storeFactory	<i>org.apache.servicemix.store.StoreFactory</i>	Specifies the factory used to create persistent data stores for this endpoint.
synchronous	<i>boolean</i>	Indicates if a JCA consumer endpoint sends the JBI exchange synchronously or asynchronously. This changes the transaction boundary.
targetEndpoint	<i>java.lang.String</i>	
targetInterfaceName	<i>javax.xml.namespace.QName</i>	
targetService	<i>javax.xml.namespace.QName</i>	
useMsgIdInResponse	<i>boolean</i>	Indicates whether the message id of the request message should be used as the correlation id in the response or the correlation id of the request.
wsdlResource	<i>org.springframework.core.io.Resource</i>	

jms : consumer

Endpoint properties

Property Name	Type	Description
cacheLevel	<i>int</i>	Specifies the level of caching all listener. Valid values are 0 through 2. Values map to the following: <code>CACHE_NONE</code><code>CACHE_CONNECTION</code>2 – <code>CACHE_SESSION</code><code>CACHE_CONSUMER</code> The default is <code>CACHE_NONE</code>. <code>cacheLevel</code> property only effects consumers. <code>listenerType</code> property defaults to <code>default</code>.
clientId	<i>java.lang.String</i>	Specifies the JMS client id for a <code>ConnectionFactory</code> created by this listener.

Apache ServiceMix 4.4.0

component	org.apache.servicemix.common.DefaultComponent	
concurrentConsumers	<i>int</i>	Specifies the number of concurrent consumers created by the listener. This property is only used for consumers of type <code><code>listenerType</code></code> or <code><code>simple</code></code> or <code><code>default</code></code> .
connectionFactory	<i>javax.jms.ConnectionFactory</i>	Specifies the <code><code>ConnectionFactory</code></code> to use for the endpoint.
destination	<i>javax.jms.Destination</i>	Specifies the JMS <code><code>Destination</code></code> used to receive messages.
destinationChooser	<i>org.apache.servicemix.jms.endpoints.DestinationChooser</i>	Specifies a class implementing <code><code>DestinationChooser</code></code> for choosing reply destinations.
destinationName	<i>java.lang.String</i>	Specifies a string identifying the destination used to receive messages. The destination is resolved using the <code><code>DestinationResolver</code></code> .
destinationResolver	<i>org.springframework.jms.support.destination.DestinationResolver</i>	Specifies the class implementing <code><code>DestinationResolver</code></code> for converting strings into destinations. The default is <code><code>DynamicDestinationResolver</code></code> .
durableSubscriptionName	<i>java.lang.String</i>	Specifies the name used to register a durable subscription.
endpoint	<i>java.lang.String</i>	The name of the endpoint.
exceptionListener	<i>javax.jms.ExceptionListener</i>	Specifies an <code><code>ExceptionListener</code></code> to be notified in case of a <code><code>JMSEException</code></code> thrown by the registered message consumer or the invocation infrastructure.

| `idleTaskExecutionLimit` | *int* | Specifies the limit for idle executions of a receive task, not having received any message within its execution. If this limit is reached, the task will shut down and leave receiving to other executing tasks (in case of dynamic scheduling; see the "maxConcurrentConsumers" setting). Within each task execution, a number of message reception attempts (according to the "maxMessagesPerTask" setting) will each wait for an incoming message (according to the "receiveTimeout" setting). If all of those receive attempts in a given task return without a message, the task is considered idle with respect to received messages. Such a task may still be rescheduled; however, once it reached the specified "idleTaskExecutionLimit", it will shut down (in case of dynamic scaling). Raise this limit if you encounter too frequent scaling up and down. With this limit being higher, an idle consumer will be kept around longer, avoiding the restart of a consumer once a new load of messages comes in. Alternatively, specify a higher "maxMessagePerTask" and/or "receiveTimeout" value, which will also lead to idle consumers being kept around for a longer time (while also increasing the average execution time of each scheduled task).

jms:provider

Endpoint properties

Property Name	Type	Description
connectionFactory	<i>javax.jms.ConnectionFactory</i>	Specifies the <code><code>ConnectionFactory</code></code> to use for the endpoint.
deliveryMode	<i>int</i>	Specifies the JMS delivery mode. Defaults to <code><code>2</code></code> (<code><code>PERSISTENT</code></code>).

Apache ServiceMix 4.4.0

destination	<i>javax.jms.Destination</i>	Specifies the JMS <code>Destination</code> used to send messages.
destinationChooser	<i>org.apache.servicemix.jms.endpoints.DestinationChooser</i>	Specifies a class implementing choosing the destination used for messages.
destinationName	<i>java.lang.String</i>	Specifies a string identifying the destination used to send messages. The destination is resolved using the <code>DestinationResolver</code> .
destinationResolver	<i>org.springframework.jms.support.destination.DestinationResolver</i>	Specifies the class implementing converting strings into destinations. The default is <code>DynamicDestinationResolver</code> .
endpoint	<i>java.lang.String</i>	The name of the endpoint.
explicitQosEnabled	<i>boolean</i>	Specifies if the QoS values specified for the endpoint are explicitly used when a message is sent. The default is <code>false</code> .
interfaceName	<i>javax.xml.namespace.QName</i>	The qualified name of the interface implemented by the endpoint.
jms102	<i>boolean</i>	Determines if the provider uses JMS 1.0.2 compliant APIs.
marshaller	<i>org.apache.servicemix.jms.endpoints.JmsProviderMarshaller</i>	Specifies the class implementing the message marshaller. The message marshaller is responsible for marshalling and unmarshalling JMS messages. The default is <code>DefaultProviderMarshaller</code> .
messageIdEnabled	<i>boolean</i>	Specifies if your endpoint requires message IDs. Setting the <code>messageIdEnabled</code> property to <code>false</code> causes the endpoint to call its message producer's <code>setDisableMessageID()</code> method with a value of <code>true</code> . The JMS broker is then given a hint that it does not need to generate message IDs for the messages from the endpoint. The JMS broker can choose to accept the hint or ignore it.
messageTimestampEnabled	<i>boolean</i>	Specifies if your endpoints require message timestamps on its messages. Setting the <code>messageTimeStampEnabled</code> property to <code>false</code> causes the endpoint to call its message producer's <code>setDisableMessageTimestamp()</code> method with a value of <code>true</code> . The JMS broker is then given a hint that it does not need to add message IDs or add them to the messages from the endpoint. The JMS broker can choose to accept the hint or ignore it.
preserveMessageQos	<i>boolean</i>	Specifies whether we want to preserve the message QoS settings specified for the message instead in order to preserve the message QoS. The default is <code>false</code> .
priority	<i>int</i>	Specifies the priority assigned to the messages. Defaults to 4.
pubSubDomain	<i>boolean</i>	Specifies if the destination is a topic. <code>true</code> means the destination is a topic. <code>false</code> means the destination is a queue.

Apache ServiceMix 4.4.0

pubSubNoLocal	<i>boolean</i>	Specifies if messages published to the listener's <code>Connection</code> are suppressed. The default is <code>false</code> .
receiveTimeout	<i>long</i>	Specifies the timeout for receiving messages in milliseconds.
replyDestination	<i>javax.jms.Destination</i>	Sets the reply destination. This destination will be used as the destination for the response message using an InOut JBI exchange. If the <code>replyDestinationChooser</code> does not return any value.
replyDestinationChooser	<i>org.apache.servicemix.jms.endpoints.DestinationChooser</i>	Specifies a class implementing <code>DestinationChooser</code> for choosing the destination used for replies.
replyDestinationName	<i>java.lang.String</i>	Sets the name of the reply destination. This property will be used to create the <code>replyDestination</code> and <code>destinationResolver</code> if the endpoint starts if the <code>replyDestination</code> has been set.
service	<i>javax.xml.namespace.QName</i>	The qualified name of the service endpoint exposes.
store	<i>org.apache.servicemix.store.Store</i>	Sets the store used to store JBI messages that are waiting for a response. The store will be automatically created if not set.
storeFactory	<i>org.apache.servicemix.store.StoreFactory</i>	Sets the store factory used to create the store. If none is set, a <code>MemoryStoreFactory</code> will be created instead.
timeToLive	<i>long</i>	Specifies the number of milliseconds a message is valid.

jms : soap-consumer

Endpoint properties

Property Name	Type	Description
cacheLevel	<i>int</i>	Specifies the level of caching for the listener. Valid values are 0 through 2. The values map to the following: <ul style="list-style-type: none"> 0 - <code>CACHE_NONE</code> 1 - <code>CACHE_CONNECTION</code> 2 - <code>CACHE_SESSION</code> The default is <code>CACHE_NONE</code> . This property only effects consumers with <code>listenerType</code> property set to <code>default</code> .
clientId	<i>java.lang.String</i>	Specifies the JMS client id for a <code>Connection</code> created by this listener.
component	org.apache.servicemix.common.DefaultComponent	
concurrentConsumers	<i>int</i>	Specifies the number of concurrent consumers created by the listener.

Apache ServiceMix 4.4.0

		property is only used for consumer <code>listenerType</code> property to either <code>simple</code> or <code>default</code>.
connectionFactory	<i>javax.jms.ConnectionFactory</i>	Specifies the <code>ConnectionFactory</code> used at the endpoint.
destination	<i>javax.jms.Destination</i>	Specifies the JMS <code>Destination</code> used to receive messages.
destinationChooser	<i>org.apache.servicemix.jms.endpoints.DestinationChooser</i>	Specifies a class implementing logic for choosing reply destinations.
destinationName	<i>java.lang.String</i>	Specifies a string identifying the destination used to receive messages. The destination is resolved using the <code>DestinationResolver</code>.
destinationResolver	<i>org.springframework.jms.support.destination.DestinationResolver</i>	Specifies the class implementing logic for converting strings into destination names. The default is <code>DynamicDestinationResolver</code>.
durableSubscriptionName	<i>java.lang.String</i>	Specifies the name used to register a durable subscription.
endpoint	<i>java.lang.String</i>	The name of the endpoint.
exceptionListener	<i>javax.jms.ExceptionListener</i>	Specifies an <code>ExceptionListener</code> to be notified in case of a <code>JMSException</code> thrown by the registered message consumer the invocation infrastructure.

| `idleTaskExecutionLimit` | *int* | Specifies the limit for idle executions of a receive task, not having received any message within its execution. If this limit is reached, the task will shut down and leave receiving to other executing tasks (in case of dynamic scheduling; see the "maxConcurrentConsumers" setting). Within each task execution, a number of message reception attempts (according to the "maxMessagesPerTask" setting) will each wait for an incoming message (according to the "receiveTimeout" setting). If all of those receive attempts in a given task return without a message, the task is considered idle with respect to received messages. Such a task may still be rescheduled; however, once it reached the specified "idleTaskExecutionLimit", it will shut down (in case of dynamic scaling). Raise this limit if you encounter too frequent scaling up and down. With this limit being higher, an idle consumer will be kept around longer, avoiding the restart of a consumer once a new load of messages comes in. Alternatively, specify a higher "maxMessagePerTask" and/or "receiveTimeout" value, which will also lead to idle consumers being kept around for a longer time (while also increasing the average execution time of each scheduled task).

jms:soap-provider

Endpoint properties

Property Name	Type	Description
connectionFactory	<i>javax.jms.ConnectionFactory</i>	Specifies the <code>ConnectionFactory</code> used at the endpoint.
deliveryMode	<i>int</i>	Specifies the JMS delivery mode for reply. Defaults to (2)<code>PERSISTENT</code>.
destination	<i>javax.jms.Destination</i>	Specifies the JMS <code>Destination</code> used to send messages.

Apache ServiceMix 4.4.0

destinationChooser	<i>org.apache.servicemix.jms.endpoints.DestinationChooser</i>	Specifies a class implementing choosing the destination used messages.
destinationName	<i>java.lang.String</i>	Specifies a string identifying the destination used to send messages. The destination is resolved using the <code><code>DesitinationResolver</code></code>
destinationResolver	<i>org.springframework.jms.support.destination.DestinationResolver</i>	Specifies the class implementing converting strings into destinations. The default is <code><code>DynamicDestinationResolver</code></code>
endpoint	<i>java.lang.String</i>	The name of the endpoint.
explicitQosEnabled	<i>boolean</i>	Specifies if the QoS values specified for the endpoint are explicitly used when a message is sent. The default is <code><code>false</code></code>
interfaceName	<i>javax.xml.namespace.QName</i>	The qualified name of the interface implemented by the endpoint.
jms102	<i>boolean</i>	Determines if the provider uses JMS 1.0.2 compliant APIs.
marshaller	<i>org.apache.servicemix.jms.endpoints.JmsProviderMarshaler</i>	Specifies the class implementing the message marshaller. The message marshaller is responsible for marshalling and unmarshalling JMS messages. The default is <code><code>DefaultProviderMarshaler</code></code>
messageIdEnabled	<i>boolean</i>	Specifies if your endpoint requires message IDs. Setting the <code><code>messageIdEnabled</code> property to <code><code>false</code></code> causes the endpoint to call its message producer's <code><code>setDisableMessageID()</code></code> method with a value of <code><code>true</code></code>. The JMS broker is then given a hint that it does not need to generate message IDs for the messages from the endpoint. The JMS broker can choose to accept the hint or ignore it.</code>
messageTimestampEnabled	<i>boolean</i>	Specifies if your endpoints require message timestamps on its messages. Setting the <code><code>messageTimeStampEnabled</code></code> property to <code><code>false</code></code> causes the endpoint to call its message producer's <code><code>setDisableMessageTimestamp()</code></code> method with a value of <code><code>true</code></code> . The JMS broker is then given a hint that it does not need to generate message IDs or add them to the messages from the endpoint. The JMS broker can choose to accept the hint or ignore it.
policies	<i>(org.apache.servicemix.soap.api.Policy)*</i>	Specifies an array of interceptors used to process SOAP messages.
preserveMessageQos	<i>boolean</i>	Specifies whether we want to preserve the QoS settings specified in the message instead in order to preserve the message QoS. The default is <code><code>false</code></code> .
priority	<i>int</i>	Specifies the priority assigned to the messages. Defaults to 4.
pubSubDomain	<i>boolean</i>	Specifies if the destination is a topic. <code><code>true</code></code> means the destination is a topic. <code><code>false</code></code> means the destination is a queue.

Apache ServiceMix 4.4.0

pubSubNoLocal	<i>boolean</i>	Specifies if messages published to the listener's <code>Connection</code> are suppressed. The default is <code>false</code> .
receiveTimeout	<i>long</i>	Specifies the timeout for receiving messages in milliseconds.
replyDestination	<i>javax.jms.Destination</i>	Sets the reply destination. This destination will be used as the destination for the response message using an InOut JBI exchange. If the <code>replyDestinationChooser</code> does not return any value.
replyDestinationChooser	<i>org.apache.servicemix.jms.endpoints.DestinationChooser</i>	Specifies a class implementing <code>DestinationChooser</code> for choosing the destination used for replies.
replyDestinationName	<i>java.lang.String</i>	Sets the name of the reply destination. This property will be used to create the <code>replyDestination</code> and <code>destinationResolver</code> if the endpoint starts if the <code>replyDestination</code> has been set.
service	<i>javax.xml.namespace.QName</i>	The qualified name of the service endpoint exposes.
store	<i>org.apache.servicemix.store.Store</i>	Sets the store used to store JBI messages that are waiting for a response. The store will be automatically created if not set.
storeFactory	<i>org.apache.servicemix.store.StoreFactory</i>	Sets the store factory used to create the store. If none is set, a <code>MemoryStoreFactory</code> will be created instead.
timeToLive	<i>long</i>	Specifies the number of milliseconds a message is valid.
useJbiWrapper	<i>boolean</i>	Specifies if the endpoint expects messages to be wrapped in the <code>JbiMessage</code> . Defaults to <code>true</code> .
validateWSDL	<i>boolean</i>	Specifies if the WSDL is checked for compliance. Defaults to <code>false</code> .
wSDL	<i>org.springframework.core.io.Resource</i>	Specifies the WSDL document of the service's interface.

jms : jca-consumer

Endpoint properties

Property Name	Type	Description
activationSpec	<i>javax.resource.spi.ActivationSpec</i>	Specifies the activation information provided by the endpoint.
bootstrapContext	<i>javax.resource.spi.BootstrapContext</i>	Specifies the <code>BootstrapContext</code> used to start the resource adapter. If this is not set, a default <code>BootstrapContext</code> will be created.
connectionFactory	<i>javax.jms.ConnectionFactory</i>	Specifies the <code>ConnectionFactory</code> used to create the endpoint.

Apache ServiceMix 4.4.0

destinationChooser	<i>org.apache.servicemix.jms.endpoints.DestinationChooser</i>	Specifies a class implementing lo choosing reply destinations.
destinationResolver	<i>org.springframework.jms.support.destination.DestinationResolver</i>	Specifies the class implementing converting strings into destination default is <code>DynamicDestinationReso
endpoint	<i>java.lang.String</i>	The name of the endpoint.
interfaceName	<i>javax.xml.namespace.QName</i>	The qualified name of the interfa by the endpoint.
jms102	<i>boolean</i>	Specifies if the consumer uses JM compliant APIs. Defaults to <code>>false</code>.
marshaller	<i>org.apache.servicemix.jms.endpoints.JmsConsumerMarshaler</i>	Specifies the class implementing marshaller. The message marshal responsible for marshalling and unmarshalling JMS messages. Th <code>DefaultConsumerMarsha
pubSubDomain	<i>boolean</i>	Specifies if the destination is a to <code>true</code> means the is a topic. <code>>false</code> destination is a queue.
replyDeliveryMode	<i>int</i>	Specifies the JMS delivery mode u reply. Defaults to 2(<code>PERSISTENT</code>).
replyDestination	<i>javax.jms.Destination</i>	Specifies the JMS <code>Destina for the replies. If this value is not endpoint will use the <code>destinationChooser</code> or the <code>replyDestinationNa property to determine the desitin
replyDestinationName	<i>java.lang.String</i>	Specifies the name of the JMS des use for the reply. The actual JMS is resolved using the <code>DestinationResolver</code> specified by the <code>.destinationResolver</code> property.
replyExplicitQosEnabled	<i>boolean</i>	Specifies if the QoS values specif endpoint are explicitly used when sent. The default is <code>>false
replyPriority	<i>int</i>	Specifies the JMS message priorit reply. Defaults to 4.
replyProperties	<i>java.util.Map</i>	Specifies custom properties to be the reply's JMS header.
replyTimeToLive	<i>long</i>	Specifies the number of milliseco message is valid. The default is u
resourceAdapter	<i>javax.resource.spi.ResourceAdapter</i>	Specifies the resource adapter us endpoint.
service	<i>javax.xml.namespace.QName</i>	The qualified name of the service endpoint exposes.
stateless	<i>boolean</i>	Specifies if the consumer retains information about the message e while it is in process.
store	<i>org.apache.servicemix.store.Store</i>	Specifies the persistent store use exchanges that are waiting to be The store will be automatically cr set and the endpoint's <code>stateless</code> proper <code>>false</code>.

storeFactory	<i>org.apache.servicemix.store.StoreFactory</i>	Specifies the store factory used to create a store. If none is set and the endpoint is stateless, the property <code>stateless</code> is set to <code>false</code> , a <code>MemoryStoreFactory</code> will be created instead.
synchronous	<i>boolean</i>	Specifies if the consumer will block waiting for a response. This means the consumer can only process one request at a time. Defaults to <code>true</code> .
targetEndpoint	<i>java.lang.String</i>	the name of the endpoint to which requests are sent
targetInterface	<i>javax.xml.namespace.QName</i>	the QName of the interface to which requests are sent
targetOperation	<i>javax.xml.namespace.QName</i>	the QName of the operation to which requests are sent
targetService	<i>javax.xml.namespace.QName</i>	the QName of the service to which requests are sent
targetUri	<i>java.lang.String</i>	Set the target service/endpoint/uri using a URI.
useMessageIdInResponse	<i>java.lang.Boolean</i>	Specifies if the request message's ID should be used as the reply's correlation ID. The default behavior is to use the request's correlation ID. Setting this to <code>true</code> the request's message ID will be used.

2.12. servicemix-mail

Overview

The ServiceMix Mail component provides support for receiving and sending mails via the enterprise service bus.

Namespace and xbean.xml

The namespace URI for the servicemix-bean JBI component is `http://servicemix.apache.org/mail/1.0`. This is an example of an `xbean.xml` file with a namespace definition with prefix `bean`.

```
<beans xmlns:mail="http://servicemix.apache.org/mail/1.0">
  <!-- add mail:poller and mail:sender definitions here -->
</beans>
```

Endpoint types

The servicemix-mail component defines two endpoint type:

- `mail:poller` :: Connect to a POP3 or IMAP server and send a MessageExchange for every mail
- `mail:sender` :: Connect to an SMTP server and send a mail for every JBI MessageExchange it receives

mail:poller

Endpoint properties

Property Name	Type	
concurrentPolling	<i>boolean</i>	Sets whether more than one poll c Default value is <code>false</code>
connection	<i>java.lang.String</i>	<p>Specifies the connection URI u Templates: <code><protocol>://<ser><ost></code> OR <code><protocol>://<ost>:<ort></code> Details: <code>cellpadding="0" cellspacing="0" align="left"></code> Name <code><protocol></code> Description <code><ost></code> user <code><user></code> host <code><host></code> mail server <code><mail server></code> login <code><login></code></p> <p>Example: <code>imap://lhein@imapserver</code> <code>pop3://pop3server/INBOX?user=me@myhome.org;pas</code> Default value is <code>null</code></p>
customProperties	<i>java.util.Map</i>	<p>Specifies a <code>java.util.M</code> properties for the connection. <code>
</code> for POP3 headers: <code>"mail.pop3.disabletop"</code> Default value is <code>
</code></p>
customTrustManagers	<i>java.lang.String</i>	<p>Specifies one or more trust m (<code><code></code>). These classes <code>Trustmanager</code> int constructor to be valid. certificates without a check you m <code>DummyTrustManager</code> without any checking logic. risk in production environments. Default value is <code><code></code></p>
debugMode	<i>boolean</i>	<p>Specifies if the JavaMail is run that while connecting to server and debug output. This mode i with your mail server connection a in communication with the server. debug mode is <code>enabled</code> debug mode is <code>disabled</code> Default value is <code>false</code></p>
delay	<i>long</i>	Sets the amount of time in millisec making the first poll.
deleteProcessedMessages	<i>boolean</i>	<p>This flag is used to indicate w mail folder. If it is set to <code>tr</code> was sent into the bus successfully. reside inside the mail folder but w sending of the mail results in an e reprocessed on next run of the po Default value is <code>false</code></p>
endpoint	<i>java.lang.String</i>	The name of the endpoint.

Apache ServiceMix 4.4.0

firstTime	<i>java.util.Date</i>	Sets the date on which the first poll is performed. If you use <code>setDelay</code> , the delay is specified.
interfaceName	<i>javax.xml.namespace.QName</i>	The qualified name of the interface to which the scheduler is bound.
marshaller	<i>org.apache.servicemix.mail.marshaler.AbstractMailMarshaler</i>	<p>With this method you can specify a custom marshaller for converting a mail into a normal message. If you don't specify a marshaller, the default <code>AbstractMailMarshaler</code> is used.</p>
maxFetchSize	<i>int</i>	<p>This sets the maximum amount of messages to be fetched. If the maximum amount is reached, the poll is skipped.</p> <i>default: 100</i> <i>unlimited</i>
period	<i>long</i>	Sets the number of milliseconds between polls.
processOnlyUnseenMessages	<i>boolean</i>	<p>This flag is used to indicate whether only the unseen mails are processed. <code>true</code> means only unseen mails are processed. <code>false</code> means all mails are processed.</p> <i>default: true</i>
scheduler	<i>org.apache.servicemix.common.scheduler.Scheduler</i>	Set a custom Scheduler implementation to use instead of the polling scheduler.
service	<i>javax.xml.namespace.QName</i>	The qualified name of the service to which the scheduler is bound.
storage	<i>org.apache.servicemix.store.Store</i>	<p>Specifies a store implementation to use for storing the identifiers of the processed messages. This store is only used with the <code>processOnlyUnseenMessages</code> property set to <code>true</code>.</p> <i>default: null</i>
targetEndpoint	<i>java.lang.String</i>	the name of the endpoint to which the scheduler is bound.
targetInterface	<i>javax.xml.namespace.QName</i>	the QName of the interface to which the scheduler is bound.
targetOperation	<i>javax.xml.namespace.QName</i>	the QName of the operation to which the scheduler is bound.
targetService	<i>javax.xml.namespace.QName</i>	the QName of the service to which the scheduler is bound.
targetUri	<i>java.lang.String</i>	Set the target service/endpoint/interface/operation.

mail:sender

Endpoint properties

Property Name	Type	Description														
connection	<i>java.lang.String</i>	<p>Specifies the connection URI used to connect to the mail server. The URI is in the form <code>protocol://server:port/mailserver/folder?login=login&password=password</code>.</p> <p>Templates:</p> <ul style="list-style-type: none"> <code>protocol</code>: the protocol to use (optional) <code>server</code>: the server name (optional) <code>port</code>: the port number (optional) <code>mailserver</code>: the mail server name (optional) <code>folder</code>: the folder name (optional) <code>login</code>: the login name (optional) <code>password</code>: the password (optional) <p>Details:</p> <table border="1"> <tr> <td><code>protocol</code></td> <td>the protocol to use</td> </tr> <tr> <td><code>server</code></td> <td>the server name</td> </tr> <tr> <td><code>port</code></td> <td>the port number</td> </tr> <tr> <td><code>mailserver</code></td> <td>the mail server name</td> </tr> <tr> <td><code>folder</code></td> <td>the folder name</td> </tr> <tr> <td><code>login</code></td> <td>the login name</td> </tr> <tr> <td><code>password</code></td> <td>the password</td> </tr> </table> <p><i>default: null</i></p>	<code>protocol</code>	the protocol to use	<code>server</code>	the server name	<code>port</code>	the port number	<code>mailserver</code>	the mail server name	<code>folder</code>	the folder name	<code>login</code>	the login name	<code>password</code>	the password
<code>protocol</code>	the protocol to use															
<code>server</code>	the server name															
<code>port</code>	the port number															
<code>mailserver</code>	the mail server name															
<code>folder</code>	the folder name															
<code>login</code>	the login name															
<code>password</code>	the password															

customProperties	<i>java.util.Map</i>	<p>Specifies a <code>java.util.Map</code> of properties for the connection. for POP3 headers: <code>mail.pop3.disabletop</code> the default value is <code>null</code>.</p>
customTrustManagers	<i>java.lang.String</i>	<p>Specifies one or more trust manager classes (<code>;</code>). These classes have a <code>Trustmanager</code> interface constructor to be valid. If you want to ignore certificates without a check you may use <code>DummyTrustManager</code> without any checking logic. Warning: Using this property without any checking logic is a security risk in production environments. The default value is <code>null</code>.</p>
debugMode	<i>boolean</i>	<p>Specifies if the JavaMail is run in debug mode that while connecting to server and processing messages. This mode is very useful for debugging with your mail server connection and you can see the communication with the server. The default value is <code>enabled</code>. The possible values are <code>enabled</code> or <code>disabled</code>. The default value is <code>false</code>.</p>
endpoint	<i>java.lang.String</i>	The name of the endpoint.
ignoreMessageProperties	<i>(java.lang.Object)*</i>	<p>Specifies a <code>java.util.List</code> of properties to skip. The default value is <code>org.apache.servicemix.mail.to</code>, <code>org.apache.servicemix.mail.cc</code>, <code>org.apache.servicemix.mail.bcc</code>, <code>org.apache.servicemix.mail.from</code>, <code>org.apache.servicemix.mail.replyto</code>. The default value is <code>null</code>.</p>
interfaceName	<i>javax.xml.namespace.QName</i>	The qualified name of the interface exposed by the service.
marshaller	<i>org.apache.servicemix.mail.marshaler.AbstractMailMarshaler</i>	<p>With this method you can specify a <code>marshaller</code> for converting a normalized message into a <code>Message</code> object. If you don't specify a <code>marshaller</code>, the <code>DefaultMailMarshaler</code> is used.</p>
receiver	<i>java.lang.String</i>	<p>Specifies the receiver address(es) of the message. The default value is <code>null</code>.</p>
sender	<i>java.lang.String</i>	<p>Specifies the sender address of the message. The default value is <code>no-reply</code>.</p>
service	<i>javax.xml.namespace.QName</i>	The qualified name of the service the endpoint belongs to.

2.13. servicemix-osworkflow

Overview

The ServiceMix OSWorkflow component provides workflow functionality to the ESB. You can specify one or more workflows and its processing will start when a valid message is received.

Namespace and xbean.xml

The namespace URI for the servicemix-bean JBI component is `http://servicemix.apache.org/osworkflow/1.0`. This is an example of an `xbean.xml` file with a namespace definition with prefix `bean`.

```
<beans xmlns:osworkflow="http://servicemix.apache.org/osworkflow/1.0">
  <!-- add osworkflow:endpoint here -->
</beans>
```

Endpoint types

The servicemix-osworkflow component defines a single endpoint type:

- `osworkflow:endpoint` :: The endpoint will receive messages from the NMR and will then start the processing of the workflow.

osworkflow:endpoint

Endpoint properties

Property Name	Type	Description
action	<i>int</i>	The initial action to trigger in the workflow.
caller	<i>java.lang.String</i>	The caller user name to be used when executing the workflow.
endpoint	<i>java.lang.String</i>	The name of the endpoint.
interfaceName	<i>javax.xml.namespace.QName</i>	The qualified name of the interface exposed by the endpoint.
service	<i>javax.xml.namespace.QName</i>	The qualified name of the service the endpoint exposes.
workflowName	<i>java.lang.String</i>	The name of the workflow to be used for handling the exchange.

2.14. servicemix-quartz

Overview

The servicemix-quartz component is a standard JBI Service Engine able to schedule and trigger jobs using the great Quartz scheduler.

Namespace and xbean.xml

The namespace URI for the servicemix-bean JBI component is `http://servicemix.apache.org/quartz/1.0`. This is an example of an `xbean.xml` file with a namespace definition with prefix `bean`.

```
<beans xmlns:osworkflow="http://servicemix.apache.org/quartz/1.0">
  <!-- add quartz:endpoint here -->
</beans>
```

Endpoint types

The servicemix-quartz component defines a single endpoint type:

- `quartz:endpoint` :: The quartz endpoint can be used to fire message exchanges at a given (recurrent) time.

quartz:endpoint

Endpoint properties

Property Name	Type	Description
calendars	<i>java.util.Map</i>	A map with {@link org.quartz.Calendar} instances to define the trigger schedule.
endpoint	<i>java.lang.String</i>	The name of the endpoint.
interfaceName	<i>javax.xml.namespace.QName</i>	The qualified name of the interface exposed by the endpoint.
jobDetail	org.quartz.JobDetail	Set a custom JobDetail bean to be used in the triggered events.
marshaller	<i>org.apache.servicemix.quartz.support.QuartzMarshaler</i>	Set a custom marshaller class to translate the JobDetail information into a normalized message.
service	<i>javax.xml.namespace.QName</i>	The qualified name of the service the endpoint exposes.
targetEndpoint	<i>java.lang.String</i>	the name of the endpoint to which requests are sent
targetInterface	<i>javax.xml.namespace.QName</i>	the QName of the interface to which requests are sent
targetOperation	<i>javax.xml.namespace.QName</i>	the QName of the operation to which requests are sent
targetService	<i>javax.xml.namespace.QName</i>	the QName of the service to which requests are sent
targetUri	<i>java.lang.String</i>	Set the target service/endpoint/interface using a URI.
trigger	org.quartz.Trigger	A single {@link org.quartz.Trigger} instance to define the trigger schedule.
triggers	<i>(java.lang.Object)*</i>	A list of of {@link org.quartz.Trigger} instances to allow configuring multiple schedules for the same endpoint.

2.15. servicemix-saxon

Overview

The servicemix-saxon component is a standard JBI Service Engine for XSLT / XQuery. This component is based on Saxon and supports XSLT 2.0 and XPath 2.0, and XQuery 1.0.

Namespace and xbean.xml

The namespace URI for the servicemix-bean JBI component is `http://servicemix.apache.org/saxon/1.0`. This is an example of `xbean.xml` file with a namespace definition with prefix `saxon`.

```
<beans xmlns:saxon="http://servicemix.apache.org/saxon /1.0">
  <!-- add saxon:xslt, saxon:xquery or saxon:proxy definitions here -->
</beans>
```

Endpoint types

The servicemix-saxon component defines these endpoints:

- `saxon:xslt`: Translates the in message content using XSLT to send back the translated content in the out message
- `saxon:proxy`: Acts as a proxy for an endpoint, translating the message passed to/from the endpoint using XSLT
- `saxon:xquery`: Use xquery to extract parts of the XML

Endpoint `saxon:xslt`

The XSLT endpoint can be used to apply an XSLT stylesheet to the incoming exchange and will return the transformed result as the output message.

```
<saxon:xslt service="test:xslt" endpoint="endpoint"
resource="classpath:transform.xml" />
```

Endpoint properties

Property Name	Type	Description
configuration	<i>net.sf.saxon.Configuration</i>	Additional configuration for the Saxon XSL-T/XQuery processor.
copyAttachments	<i>boolean</i>	Copy attachments into the resulting normalized message. Defaults to <code><code>>true</code></code> .
copyProperties	<i>boolean</i>	Copy properties into the resulting normalized message. Defaults to <code><code>true</code></code> .
copySubject	<i>boolean</i>	Copy the security subject into the resulting normalized message. Defaults to <code><code>true</code></code> .
endpoint	<i>java.lang.String</i>	The name of the endpoint.
expression	<i>org.apache.servicemix.expression.Expression</i>	Expression to dynamically determine the stylesheet to use for processing the exchange.
interfaceName	<i>javax.xml.namespace.QName</i>	The qualified name of the interface exposed by the endpoint.
parameters	<i>java.util.Map</i>	Add parameter names and values that are available during XSL/XQuery processing.
reload	<i>boolean</i>	Sets whether the endpoint should reload the resource each time it is used. A value of <code><code>true</code></code> will ensure that the resource is not cached which can be useful if the resource is updated regularly and is stored outside of the service unit.
resource	<i>org.springframework.core.io.Resource</i>	Spring Resource for the XSL-T stylesheet or XQuery file to use.

Apache ServiceMix 4.4.0

result	<i>java.lang.String</i>	The output result type, possible values are dom, bytes, string. Defaults to dom.
service	<i>javax.xml.namespace.QName</i>	The qualified name of the service the endpoint exposes.
sourceTransformer	<i>org.apache.servicemix.jbi.jaxp.SourceTransformer</i>	Set a SourceTransformer instance to use for handling XML conversions.
transformerFactory	<i>javax.xml.transform.TransformerFactory</i>	Set a transform factory, e.g. for injecting a custom transformer configuration or implementation.
useDomSourceForContent	<i>java.lang.Boolean</i>	Convert the message body Source into a DOMSource. Defaults to <code><code>>false</code></code> .
useDomSourceForXslt	<i>boolean</i>	Convert the XSL-T stylesheet Source into a DOMSource. Defaults to <code><code>true</code></code> .
wsdlResource	<i>org.springframework.core.io.Resource</i>	Resource referring to the WSDL resource that defines this endpoint.

Mandatory properties

The endpoint requires one of these two properties to be specified:

Attribute	Type	description
resource	(Spring resource)	the spring resource pointing to the XSLT stylesheet
expression	(ServiceMix expression)	expression used to dynamically load the stylesheet

Optional properties

Attribute	Type	description
wsdlResource	(Spring resource)	if set, the wsdl will be retrieved from the given Spring resource
transformerFactory	(TransformerFactory, defaults to the Saxon implementation)	TraX factory to create transformers
configuration	(Saxon configuration)	Saxon configuration object
result	(String, defaults to dom)	Allows specifying the output result type, possible values are dom, bytes, string
copyAttachments, copyProperties and copySubject	(default to true)	Configure to copy message attachments, properties and security subject over to the result message
useDomSourceForXslt	(defaults to true)	when set to true, forces the transformation of the xslt stylesheet into a DOM document before giving it to the transformer
useDomSourceForContent	(defaults to false)	when set to true, forces the transformation of the incoming JBI message into a DOM document before giving it to the transformer
parameters	a Map	containing additional parameters to give to the transformation engine

Using properties and parameters

All properties defined on the JBI exchange and input JBI message will be available for use inside the XSLT stylesheet as parameters.

In addition to those properties and the one specified in the `parameters` property on the endpoint, the following objects are also available:

- `exchange` : the JBI exchange
- `in` : the input JBI NormalizedMessage
- `component` : the XsltEndpoint instance being called

Below is an example that demonstrates how the properties of the exchange and normalized message can be accessed from inside the xslt.

```
<?xml version="1.0" encoding="windows-1253"?>
<xsl:stylesheet xmlns:xsl="http://www.w3.org/1999/XSL/Transform" version="2.0"
  xmlns:class="http://saxon.sf.net/java-type"
  xmlns:me="java:javax.jbi.messaging.MessageExchange"
  xmlns:nm="java:javax.jbi.messaging.NormalizedMessage">
  <xsl:output method="xml" indent="yes" encoding="ISO-8859-1"/>
  <xsl:param name="exchange" as="class:javax.jbi.messaging.MessageExchange"/>
  <xsl:param name="in" as="class:javax.jbi.messaging.NormalizedMessage"/>

  <xsl:template match="/">
  <message>
    <!-- The value of messageId will be read from thr property MSG_ID of the "in" NormalizedMess
    <messageId>
      <xsl:value-of select="nm:getProperty($in, 'MSG_ID')"/>
    </messageId>
  </message>
</xsl:stylesheet>
```

All those parameters can be accessed using XSLT standard ways using `<xsl:param/>`.

Endpoint `saxon:proxy`

One common use case is the need to transform a request coming from a service and send it to another service and do the same with the response. A simple example is the need to translate the request and responses between two SOAP endpoints. Such a use case could be implemented using two XSLT endpoints and an EIP StaticRoutingSlip. However, there are some drawbacks, as the operation is lost in the process, and a static routing slip can not be used to process InOnly exchanges.

```
<saxon:proxy service="test:proxy" endpoint="endpoint"
  resource="classpath:transform-in.xsl"
  outResource="classpath:transform-out.xsl"
  faultResource="classpath:transform-fault.xsl">
  <saxon:target>
    <saxon:exchange-target service="test:echo" />
  </saxon:target>
</saxon:proxy>
```

Endpoint properties

Property Name	Type	Description
configuration	<i>net.sf.saxon.Configuration</i>	Additional configuration for the Saxon XSL-processor.

Apache ServiceMix 4.4.0

copyAttachments	<i>boolean</i>	Copy attachments into the resulting normalized message. Defaults to <code><code>>true</code></code> .
copyProperties	<i>boolean</i>	Copy properties into the resulting normalized message. Defaults to <code><code>true</code></code> .
copySubject	<i>boolean</i>	Copy the security subject into the resulting normalized message. Defaults to <code><code>true</code></code> .
endpoint	<i>java.lang.String</i>	The name of the endpoint.
expression	<i>org.apache.servicemix.expression.Expression</i>	Expression to dynamically determine the style for processing the exchange.
faultResource	<i>org.springframework.core.io.Resource</i>	Spring Resource for the XSL-T stylesheet or use for transforming the 'fault' message.
interfaceName	<i>javax.xml.namespace.QName</i>	The qualified name of the interface exposed on the endpoint.
outResource	<i>org.springframework.core.io.Resource</i>	Spring Resource for the XSL-T stylesheet or use for transforming the 'out' message.
parameters	<i>java.util.Map</i>	Add parameter names and values that are available for XSL/XQuery processing.
reload	<i>boolean</i>	Sets whether the endpoint should reload the resource the time it is used. A value of <code><code>true</code></code> means that the resource is not cached which can be useful if the resource is updated regularly and is stored on a remote service unit.
resource	<i>org.springframework.core.io.Resource</i>	Spring Resource for the XSL-T stylesheet or use for transforming the message.
result	<i>java.lang.String</i>	The output result type, possible values are dom, stream, string. Defaults to dom.
service	<i>javax.xml.namespace.QName</i>	The qualified name of the service the endpoint is exposing.
sourceTransformer	<i>org.apache.servicemix.jbi.jaxp.SourceTransformer</i>	Set a SourceTransformer instance to use for message conversions.
store	<i>org.apache.servicemix.store.Store</i>	Configure a custom Store implementation to store correlation information. Usually, a store factory is configured instead of a store. Defaults to <code>{@link org.apache.servicemix.store.memory.MemoryStore}</code> .
storeFactory	<i>org.apache.servicemix.store.StoreFactory</i>	Configure a custom StoreFactory implementation to store correlation information. Defaults to <code>{@link org.apache.servicemix.store.memory.MemoryStoreFactory}</code> .
target	org.apache.servicemix.saxon.support.ExchangeTarget	Set the target endpoint that is being proxied. Defaults to <code><code>xslt:proxy</code></code> endpoint.
transformerFactory	<i>javax.xml.transform.TransformerFactory</i>	Set a transform factory, e.g. for injecting a custom transformer configuration or implementation.
useDomSourceForContent	<i>java.lang.Boolean</i>	Convert the message body Source into a DOM Source. Defaults to <code><code>>false</code></code> .
useDomSourceForXslt	<i>boolean</i>	Convert the XSL-T stylesheet Sources into a DOM Source. Defaults to <code><code>true</code></code> .
wSDLResource	<i>org.springframework.core.io.Resource</i>	Resource referring to the WSDL resource that describes the endpoint.

Mandatory properties

Depending on the MEP, you have to set one or more XSL stylesheets to be used for converting the message payloads:

Attribute	Type	Description
resource	Spring resource	the XSLT stylesheet used to transform the input message

Apache ServiceMix 4.4.0

outResource	Spring resource	the XSLT stylesheet used to transform the output message
faultResource	Spring resource	the XSLT stylesheet used to transform the fault message
expression	ServiceMix expression	used to dynamically load the stylesheet. If set, it will prevail against all resource, outResource and faultResource attributes

You also have to specify the target service that should be invoked from this endpoint:

- `target` : ExchangeTarget that specifies the target service for the proxy endpoint

Optional properties

Attribute	Type	Description
wsdlResource	Spring resource	if set, the wsdl will be retrieved from the given (Spring resource)

| `transformerFactory` (defaults to the Saxon implementation) :: TraX TransformerFactory to create transformers

`configuration`

| `result` | (defaults to `dom`) :: Allows specifying the output result type, possible values are `dom`, `bytes`, `string`

`copyAttachments`, `copyProperties` and `copySubject`

Endpoint `saxon:xquery`

The XQuery endpoint can be used to apply a selected XQuery to the input document.

```
<saxon:xquery service="test:xquery" endpoint="endpoint"
resource="classpath:query.xq" />
```

Endpoint properties

Property Name	Type	Description
<code>configuration</code>	<i>net.sf.saxon.Configuration</i>	Additional configuration for the Saxon XSL-T/XQuery processor.
<code>copyAttachments</code>	<i>boolean</i>	Copy attachments into the resulting normalized message. Defaults to <code><code>>true</code></code> .
<code>copyProperties</code>	<i>boolean</i>	Copy properties into the resulting normalized message. Defaults to <code><code>true</code></code> .
<code>copySubject</code>	<i>boolean</i>	Copy the security subject into the resulting normalized message. Defaults to <code><code>true</code></code> .
<code>endpoint</code>	<i>java.lang.String</i>	The name of the endpoint.
<code>expression</code>	<i>org.apache.servicemix.expression.Expression</i>	Expression to dynamically determine the stylesheet to use for processing the exchange.
<code>interfaceName</code>	<i>javax.xml.namespace.QName</i>	The qualified name of the interface exposed by the endpoint.

Apache ServiceMix 4.4.0

outputProperties	<i>java.util.Properties</i>	Configure serialization properties, in JAXP format, if the result is to be serialized. This parameter can be defaulted to null.
parameters	<i>java.util.Map</i>	Add parameter names and values that are available during XSL/XQuery processing.
query	<i>java.lang.String</i>	Configure the XQuery expression to evaluate.
reload	<i>boolean</i>	Sets whether the endpoint should reload the resource each time it is used. A value of <code>true</code> will ensure that the resource is not cached which can be useful if the resource is updated regularly and is stored outside of the service unit.
resource	<i>org.springframework.core.io.Resource</i>	Spring Resource for the XSL-T stylesheet or XQuery file to use.
result	<i>java.lang.String</i>	The output result type, possible values are dom, bytes, string. Defaults to dom.
service	<i>javax.xml.namespace.QName</i>	The qualified name of the service the endpoint exposes.
sourceTransformer	<i>org.apache.servicemix.jbi.jaxp.SourceTransformer</i>	Set a SourceTransformer instance to use for handling XML conversions.
wSDLResource	<i>org.springframework.core.io.Resource</i>	Resource referring to the WSDL resource that defines this endpoint.

Mandatory properties

You need to specify one of `query`, `resource` or `expression`

Attribute	Type	Description
query	String	containing the inlined XQuery expression
resource	Spring resource	resource pointing to the XQuery
expression	ServiceMix expression	expression to dynamically load the xquery

Optional properties

Attribute	Type	Description
wSDLResource	(Spring resource)	WSDL describing the endpoint
outputProperties	Map	Saxon specific output properties
configuration	(Saxon configuration)	Saxon configuration object
result	(defaults to dom)	Allows specifying the output result type, possible values are dom, bytes, string
copyAttachments, copyProperties and copySubject	(default to true)	Configure to copy message attachments, properties and security subject over to the result message

Sample configurations

Dynamic stylesheet selection (`saxon:xslt`)

This endpoint configuration will dynamically load the XSL-T resource that is specified in the `xslt.source` property on the `NormalizedMessage`

```
<saxon:xslt service="test:xslt-dynamic" endpoint="endpoint">
  <saxon:expression>
    <bean class="org.apache.servicemix.expression.PropertyExpression">
      <property name="property" value="xslt.source" />
    </bean>
  </saxon:expression>
</saxon:xslt>
```

Using parameters in the XSL-T stylesheet (`saxon:xslt`)

You can define a Map of parameters on the `saxon:xslt` endpoint.

```
<saxon:xslt service="test:xslt-params" endpoint="endpoint"
  resource="classpath:parameter-test.xml">
  <property name="parameters">
    <map>
      <entry key="stringParam" value="cheeseyCheese"/>
      <entry key="integerParam">
        <bean class="java.lang.Integer">
          <constructor-arg index="0" value="4002"/>
        </bean>
      </entry>
    </map>
  </property>
</saxon:xslt>
```

In the XSL file, you can access the parameter values with `<xsl:param/>`. You can also access headers on the `NormalizedMessage` (like e.g. `org.apache.servicemix.file`) with the same syntax.

```
<xsl:stylesheet xmlns:xsl='http://www.w3.org/1999/XSL/Transform' version='1.0'>
  <xsl:param name="stringParam"/>
  <xsl:param name="integerParam"/>
  <xsl:param name="org.apache.servicemix.file" />
  ...
</xsl:stylesheet>
```

Inlined XQuery and specific output configuration (`saxon:xquery`)

```
<saxon:xquery service="test:xquery-inline" endpoint="endpoint">
  <saxon:query>
    for $x in /bookstore/book
    where $x/price > 30
    return $x/title
  </saxon:query>
  <saxon:outputProperties>
    <saxon:property key="{http://saxon.sf.net/}wrap-result-sequence">yes</saxon:property>
  </saxon:outputProperties>
</saxon:xquery>
```

Dynamic XQuery selection (`saxon:xquery`)

This endpoint configuration will dynamically load the XQuery resource that is specified in the `xquery.source` property on the `NormalizedMessage`

```
<saxon:xquery service="test:xquery-dynamic" endpoint="endpoint">
  <saxon:expression>
    <bean class="org.apache.servicemix.expression.PropertyExpression">
      <property name="property" value="xquery.source" />
    </bean>
  </saxon:expression>
</saxon:xquery>
```

2.16. servicemix-scripting

Overview

The ServiceMix Scripting component provides support for processing scripts using JSR-223 compliant scripting languages.

The component is currently shipping with:

- Groovy (1.5.6)
- JRuby (1.1.2)
- Rhino JavaScript (1.7R1)

Namespace and `xbean.xml`

The namespace URI for the `servicemix-bean` JBI component is `http://servicemix.apache.org/scripting/1.0`. This is an example of an `xbean.xml` file with a namespace definition with prefix `bean`.

```
<beans xmlns:scripting="http://servicemix.apache.org/scripting/1.0">
  <!-- add scripting:endpoint here -->
</beans>
```

Endpoint types

The `servicemix-scripting` component defines a single endpoint type:

- `scripting:endpoint` :: The scripting endpoint can be used to use scripts to handle exchanges or send new exchanges

`scripting:endpoint`

Endpoint properties

Property Name	Type	Description
<code>bindings</code>	<code>java.util.Map</code>	A Map with additional variables that are made

Apache ServiceMix 4.4.0

		available during script execution.
copyAttachments	<i>boolean</i>	Copy the attachments into the 'out' message. Defaults to <code>true</code> .
copyProperties	<i>boolean</i>	Copy the properties into the 'out' message. Defaults to <code>true</code> .
disableOutput	<i>boolean</i>	Set this flag to true to <code>true</code> to avoid sending back a response message. Defaults to <code>false</code> .
endpoint	<i>java.lang.String</i>	The name of the endpoint.
interfaceName	<i>javax.xml.namespace.QName</i>	The qualified name of the interface exposed by the endpoint.
language	<i>java.lang.String</i>	The scripting language to be used. Defaults to <code>autodetect</code> to determine the language by the script file extension.
logResourceBundle	<i>java.lang.String</i>	The resource bundle to use when logging internationalized messages.
marshaller	<i>org.apache.servicemix.scripting.ScriptingMarshallerSupport</i>	Custom marshaller implementation to handle startup/shutdown, loading the script code and registering additional user beans.
script	<i>org.springframework.core.io.Resource</i>	Spring Resource referring to the script location.
scriptLogger	<i>java.util.logging.Logger</i>	returns the script logger
service	<i>javax.xml.namespace.QName</i>	The qualified name of the service the endpoint exposes.
targetEndpoint	<i>java.lang.String</i>	Target endpoint for the output exchange that is created by the script.
targetInterface	<i>javax.xml.namespace.QName</i>	Target interface for the output exchange that is created by the script.
targetOperation	<i>javax.xml.namespace.QName</i>	Target operation for the output exchange that is created by the script.
targetService	<i>javax.xml.namespace.QName</i>	Target service for the output exchange that is created by the script.
targetUri	<i>java.lang.String</i>	URI for configuring target service/endpoint/interface for the exchange that is created by the script.

2.17. servicemix-snmp

Overview

The ServiceMix SNMP component provides support for receiving SNMP events via the enterprise service bus by using the SNMP4J library.

Namespace and xbean.xml

The namespace URI for the servicemix-bean JBI component is `http://servicemix.apache.org/snmp/1.0`. This is an example of an `xbean.xml` file with a namespace definition with prefix `bean`.

```
<beans xmlns:snmp="http://servicemix.apache.org/snmp/1.0">
  <!-- add snmp:poller or snmp:sender definitions here -->
</beans>
```

Endpoint types

The servicemix-snmp component defines two endpoint types:

- `snmp:poller` :: Periodically polls a device status using SNMP and sends the OIDs as a JBI MessageExchange
- `snmp:trap-consumer` :: Consumes an SNMP trap message and sends the OIDs as a JBI MessageExchange

snmp:poller

Endpoint properties

Property Name	Type	Description						
address	<i>java.lang.String</i>	<p>Specifies the connection URI used to connect to a snmp capable device. Template: <code>protocol:host:port</code></p> <p>Details:</p> <table border="1"> <tr> <td>protocol</td> <td>the protocol to use (udp or tcp)</td> </tr> <tr> <td>host</td> <td>the name or ip address of the snmp capable device</td> </tr> <tr> <td>port</td> <td>the port number to use</td> </tr> </table> <p>Example: <code>udp:192.168.2.122/161</code></p> <p>Default value is <code>null</code>.</p>	protocol	the protocol to use (udp or tcp)	host	the name or ip address of the snmp capable device	port	the port number to use
protocol	the protocol to use (udp or tcp)							
host	the name or ip address of the snmp capable device							
port	the port number to use							
concurrentPolling	<i>boolean</i>	<p>Sets whether more than one poll can be active at the same time (true means yes). Default value is <code>false</code>.</p>						

Apache ServiceMix 4.4.0

delay	<i>long</i>	Sets the amount of time in milliseconds that the endpoint should wait before making the first attempt.
endpoint	<i>java.lang.String</i>	The name of the endpoint.
firstTime	<i>java.util.Date</i>	Sets the date on which the first poll will be executed. If a delay is also set using <code>setDelay()</code> , the delay interval is added after the date specified.
interfaceName	<i>javax.xml.namespace.QName</i>	The qualified name of the interface exposed by the endpoint.
marshaller	<i>org.apache.servicemix.snmp.marshaler.SnmpMarshalerSupport</i>	<p>Specifies a marshaller class which provides the logic for converting a snmp response into a normalized message. This class has to implement the <code>SnmpMarshalerSupport</code> interface. If you don't specify a marshaller, the <code>DefaultSnmpMarshaler</code> will be used.</p>
oids	<i>(java.lang.Object)*</i>	<p>Specifies a reference to a list of OID values which will be used for the snmp request. You can specify the value in two possibilities how to specify the value: a) referencing to a file containing a list of OID values separated by a line feed b) defining a list of OID values separated by <code>,</code> Examples: a) <code>oids="classpath:myOids.txt"</code> b) <code>oids="file:/home/lhein/snmp/device_a/oids.txt"</code> c) <code>oids="1.3.6.1.2.1.1.3.0 , 1.3.6.1.2.1.25.3.2.1.3.6.1.2.1.25.3.5.1.1.1 , 1.3.6.1.2.1.43.5.1.1.11.1"</code> The default value is <code>null</code>.</p>
period	<i>long</i>	Sets the number of milliseconds between poll attempts.
retries	<i>int</i>	<p>Specifies the connection retries. The default value is <code>2</code>.</p>
scheduler	<i>org.apache.servicemix.common.scheduler.Scheduler</i>	Set a custom Scheduler implementation if you need more fine-grained control over the poll schedule.
service	<i>javax.xml.namespace.QName</i>	The qualified name of the service the endpoint exposes.
snmpCommunity	<i>java.lang.String</i>	<p>Specifies the snmp community to use. The default value is <code>"public"</code>.</p>
snmpVersion	<i>int</i>	<p>Specifies the snmp protocol version to use. The default value is <code>1</code> (version 1).</p>
targetEndpoint	<i>java.lang.String</i>	the name of the endpoint to which requests are sent
targetInterface	<i>javax.xml.namespace.QName</i>	the QName of the interface to which requests are sent
targetOperation	<i>javax.xml.namespace.QName</i>	the QName of the operation to which requests are sent
targetService	<i>javax.xml.namespace.QName</i>	the QName of the service to which requests are sent
targetUri	<i>java.lang.String</i>	Set the target service/endpoint/interface using the URI.
timeout	<i>int</i>	<p>Specifies the connection time out in milliseconds. The default value is <code>1500</code>.</p>

vfs:trap-consumer

Endpoint properties

2.18. servicemix-validation

Overview

The ServiceMix Validation component provides schema validation of documents using JAXP 1.3 and XMLSchema or RelaxNG.

Namespace and xbean.xml

The namespace URI for the servicemix-bean JBI component is `http://servicemix.apache.org/validation/1.0`. This is an example of an `xbean.xml` file with a namespace definition with prefix `bean`.

```
<beans xmlns:scripting="http://servicemix.apache.org/validation/1.0">
  <!-- add validation:endpoint here -->
</beans>
```

Endpoint types

The servicemix-validation component defines a single endpoint type:

- `validation:endpoint` :: Validates the incoming XML message – can be configured to fail the exchange or to send validation errors back to the sender in the message body.

validation:endpoint

Endpoint properties

Property Name	Type	
endpoint	<i>java.lang.String</i>	The name of the
errorHandlerFactory	<i>org.apache.servicemix.validation.handler.MessageAwareErrorHandlerFactory</i>	Set a custom error validation errors. <code>Counting
handlingErrorMethod	<i>java.lang.String</i>	Configure how va handled. Default <code>FAULT_JB <dt> <code>FAU jbi exception is th (depending on us <dt> <code>FAU <dd>The validati fault message (de </dl>
interfaceName	<i>javax.xml.namespace.QName</i>	The qualified nam by the endpoint.

noNamespaceSchemaResource	<i>org.springframework.core.io.Resource</i>	Set the validation namespace is spe
schema	<i>javax.xml.validation.Schema</i>	Set the validation
schemaLanguage	<i>java.lang.String</i>	Set the validation to <code>http://XMLSchema</code></code>
schemaResource	<i>org.springframework.core.io.Resource</i>	Set the validation Resource.
schemaSource	<i>javax.xml.transform.Source</i>	Set the validation
service	<i>javax.xml.namespace.QName</i>	The qualified name exposes.

2.19. servicemix-vfs

Overview

The ServiceMix VFS component provides support for reading from and writing to virtual file systems via the enterprise service bus by using the Apache commons-vfs library.

Namespace and xbean.xml

The namespace URI for the servicemix-bean JBI component is `http://servicemix.apache.org/vfs/1.0`. This is an example of an `xbean.xml` file with a namespace definition with prefix `bean`.

```
<beans xmlns:vfs="http://servicemix.apache.org/vfs/1.0">
  <!-- add vfs:poller or vfs:sender here -->
</beans>
```

Endpoint types

The servicemix-vfs component defines two endpoint types:

- `vfs:poller` :: Periodically polls a directory on one of the VFS-supported file systems for files and sends an exchange for every file
- `vfs:sender` :: Writes the contents of an exchange to a file on one of the VFS-supported file systems

vfs:poller

Endpoint properties

Property Name	Type	Description
comparator	<i>java.util.Comparator</i>	Specifies a <code>Comparator</code> object.
component	org.apache.servicemix.common.DefaultComponent	the default component
concurrentExchange	<i>boolean</i>	
concurrentPolling	<i>boolean</i>	Sets whether more than one poll can be active at a time. Default value is <code>false</code> .
delay	<i>long</i>	Sets the amount of time in milliseconds that the component waits before making the first poll.

Apache ServiceMix 4.4.0

deleteFile	<i>boolean</i>	Specifies if files should be deleted after they are processed. <code>>true</code>.
endpoint	<i>java.lang.String</i>	The name of the endpoint.
fileSystemManager	<i>org.apache.commons.vfs.FileSystemManager</i>	sets the file system manager
firstTime	<i>java.util.Date</i>	Sets the date on which the first poll will be executed. <code>setDelay</code>, the delay interval will be specified.
interfaceName	<i>javax.xml.namespace.QName</i>	The qualified name of the interface exposed by the endpoint.
lockManager	<i>org.apache.servicemix.common.locks.LockManager</i>	Bean defining the class implementing the file locking interface. This will be set to an instance of <code>org.apache.servicemix.common.locks.impl.LockManager</code>
marshaller	<i>org.apache.servicemix.components.util.FileMarshaler</i>	Specifies a <code>FileMarshaler</code> object that can read and write data into the NMR. The default file marshaller can read and write <code>FileMarshaler</code> objects are implemented by <code>org.apache.servicemix.components.util.FileMarshaler</code>

| path | *java.lang.String* | Specifies a <code>String</code> object representing the path of the file/folder to be polled.
Examples:

- file:///home/lhein/pollFolder
- zip:file:///home/lhein/pollFolder/myFile.zip
- jar:http://www.myhost.com/files/Examples.jar
- jar:../lib/classes.jar!/META-INF/manifest.mf
- tar:gz:http://anyhost/dir/mytar.tar.gz!/mytar.tar!/path/in/tar/README.txt
- tgz:file://anyhost/dir/mytar.tgz!/somepath/somefile
- gz:/my/gz/file.gz
- http://myusername@somehost/index.html
- webdav://somehost:8080/dist
- ftp://myusername:mypassword@somehost/pub/downloads/somefile.tgz
- sftp://myusername:mypassword@somehost/pub/downloads/somefile.tgz
- smb://somehost/home
- tmp://dir/somefile.txt
- res:path/in/classpath/image.png
- ram:///any/path/to/file.txt
- mime:file:///your/path/mail/anymail.mime!/filename.pdf

vfs:sender

Endpoint properties

Property Name	Type	Description
endpoint	<i>java.lang.String</i>	The name of the endpoint.
fileSystemManager	<i>org.apache.commons.vfs.FileSystemManager</i>	sets the file system manager
interfaceName	<i>javax.xml.namespace.QName</i>	The qualified name of the interface exposed by the endpoint.
marshaller	<i>org.apache.servicemix.components.util.FileMarshaler</i>	Specifies a <code>FileMarshaler</code> object that can read and write data into the NMR. The default file marshaller can read and write <code>FileMarshaler</code> objects are implemented by <code>org.apache.servicemix.components.util.FileMarshaler</code>

| path | *java.lang.String* | Specifies a <code>String</code> object representing the path of the file/folder to be polled.
Examples:

- file:///home/lhein/pollFolder
- zip:file:///home/lhein/pollFolder/myFile.zip
- jar:http://www.myhost.com/files/Examples.jar
- jar:../lib/classes.jar!/META-INF/manifest.mf
- tar:gz:http://anyhost/dir/mytar.tar.gz!/mytar.tar!/path/in/tar/README.txt
- tgz:file://anyhost/dir/mytar.tgz!/somepath/somefile
- gz:/my/gz/file.gz
- http://myusername@somehost/index.html
- webdav://somehost:8080/dist
- ftp://myusername:mypassword@somehost/pub/downloads/somefile.tgz
- sftp://myusername:mypassword@somehost/pub/downloads/somefile.tgz
- smb://somehost/home
- tmp://dir/somefile.txt
- res:path/in/classpath/image.png
- ram:///any/path/to/file.txt
- mime:file:///your/path/mail/anymail.mime!/filename.pdf

2.20. servicemix-wsn2005

Overview

The `servicemix-wsn2005` is a standard JBI Service Engine which implements the WS-Notification specification from Oasis.

2.21. servicemix-xmpp

Overview

The ServiceMix XMPP component is used to communicate with XMPP (Jabber) servers through the JBI bus.

`xmpp:receiver`

Endpoint properties

Property Name	Type	Description
<code>createAccount</code>	<i>boolean</i>	<p>Specify here if you want to create an account for the user if the user is currently not existing on the XMPP server.</p>
<code>endpoint</code>	<i>java.lang.String</i>	The name of the endpoint.
<code>filter</code>	<i>org.jivesoftware.smack.filter.PacketFilter</i>	<p>Here you can define a <code>PacketFilter</code> to use for filtering XMPP packets.</p>
<code>host</code>	<i>java.lang.String</i>	<p>With that method you can specify the host name of the XMPP server as hostname or ip address.</p>
<code>interfaceName</code>	<i>javax.xml.namespace.QName</i>	The qualified name of the interface exposed by the endpoint.
<code>login</code>	<i>boolean</i>	<p>Here you can specify if the user should login to the server or not. Not logging in means that endpoint itself will be created but it will be inactive.</p>
<code>marshaller</code>	<i>org.apache.servicemix.xmpp.marshaler.XMPPMarshalerSupport</i>	<p>With this method you can specify a marshaller class which provides the logic for converting an xmpp message into a normalized message. This class has to implement the interface <code>XMPPMarshalerSupport</code> or another class which implements it. If you don't specify a marshaller, the <code>DefaultXMPPMarshaler</code> will be used.</p>
<code>password</code>	<i>java.lang.String</i>	<p>This method sets the password for connecting to the XMPP server.</p>
<code>port</code>	<i>int</i>	<p>This method will set the port number for the XMPP connection. If nothing is defined the default XMPP port number 5222 will be used.</p>

Apache ServiceMix 4.4.0

proxyHost	<i>java.lang.String</i>	<p>Here you can specify the hostname or ip address of a proxy to be used to connect to the XMPP server. If you don't define this no proxy is used.</p>
proxyPass	<i>java.lang.String</i>	<p>If your proxy needs authentication you can specify here the user password. Leave this undefined if your proxy does not need authentication.</p>
proxyPort	<i>java.lang.String</i>	<p>Here you can specify the port of the proxy server. If you do not define this the default port (3128) will be used.</p>
proxyType	<i>java.lang.String</i>	<p>Here you can specify the type of proxy you have. Possible values are: <code>NONE</code>, <code>HTTP</code>, <code>SOCKS4</code>, <code>SOCKS5</code>
proxyUser	<i>java.lang.String</i>	<p>If your proxy needs authentication you can specify here the user name. Leave this undefined if your proxy does not need authentication.</p>
resource	<i>java.lang.String</i>	<p>Specify here the resource string to submit to the XMPP server. Usually you define the identifier of the XMPP client here.</p>
room	<i>java.lang.String</i>	<p>Specify here an optional room to join. If set, the user will join that room and listens to messages there.</p>
service	<i>javax.xml.namespace.QName</i>	The qualified name of the service the endpoint exposes.
targetEndpoint	<i>java.lang.String</i>	the name of the endpoint to which requests are sent
targetInterface	<i>javax.xml.namespace.QName</i>	the QName of the interface to which requests are sent
targetOperation	<i>javax.xml.namespace.QName</i>	the QName of the operation to which requests are sent
targetService	<i>javax.xml.namespace.QName</i>	the QName of the service to which requests are sent
targetUri	<i>java.lang.String</i>	Set the target service/endpoint/ interface using a URI.
user	<i>java.lang.String</i>	<p>This method if used to specify the user name to use for connecting to the XMPP server. It is not required that this user already exists but if not then the server should allow registration of new users and this user should not already exist with another password.</p>

xmpp : sender

Endpoint properties

Property Name	Type	Description
createAccount	<i>boolean</i>	<p>Specify here if you want to create an account for the user if the user is

Apache ServiceMix 4.4.0

		currently not existing on the XMPP server.</p>
endpoint	<i>java.lang.String</i>	The name of the endpoint.
host	<i>java.lang.String</i>	<p>With that method you can specify the host name of the XMPP server as hostname or ip address.</p>
interfaceName	<i>javax.xml.namespace.QName</i>	The qualified name of the interface exposed by the endpoint.
login	<i>boolean</i>	<p>Here you can specify if the user should login to the server or not. Not logging in means that endpoint itself will be created but it will be inactive.</p>
marshaller	<i>org.apache.servicemix.xmpp.marshaler.XMPPMarshalerSupport</i>	<p>With this method you can specify a marshaller class which provides the logic for converting an xmpp message into a normalized message. This class has to implement the interface <code>XMPPMarshalerSupport</code> or another class which implements it. If you don't specify a marshaller, the <code>DefaultXMPPMarshaler</code> will be used.</p>
participant	<i>java.lang.String</i>	<p>Specify here an optional participant to send messages to. You have to define a room or participant in order to have send function working.</p>
password	<i>java.lang.String</i>	<p>This method sets the password for connecting to the XMPP server.</p>
port	<i>int</i>	<p>This method will set the port number for the XMPP connection. If nothing is defined the default XMPP port number 5222 will be used.</p>
proxyHost	<i>java.lang.String</i>	<p>Here you can specify the hostname or ip address of a proxy to be used to connect to the XMPP server. If you don't define this no proxy is used.</p>
proxyPass	<i>java.lang.String</i>	<p>If your proxy needs authentication you can specify here the user password. Leave this undefined if your proxy does not need authentication.</p>
proxyPort	<i>java.lang.String</i>	<p>Here you can specify the port of the proxy server. If you do not define this the default port (3128) will be used.
proxyType	<i>java.lang.String</i>	<p>Here you can specify the type of proxy you have. Possible values are: <code>NONE</code>, <code>HTTP</code>, <code>SOCKS4</code>, <code>SOCKS5</code>
proxyUser	<i>java.lang.String</i>	<p>If your proxy needs authentication you can specify here the user name. Leave this undefined if your proxy does not need authentication.</p>
resource	<i>java.lang.String</i>	<p>Specify here the resource string to submit to the XMPP server. Usually you define the identifier of the XMPP client here.</p>

Apache ServiceMix 4.4.0

room	<i>java.lang.String</i>	<p><p>Specify here an optional room to join. If set, the user will join that room and listens to messages there.</p></p>
service	<i>javax.xml.namespace.QName</i>	<p>The qualified name of the service the endpoint exposes.</p>
user	<i>java.lang.String</i>	<p><p>This method if used to specify the user name to use for connecting to the XMPP server. It is not required that this user already exists but if not then the server should allow registration of new users and this user should not already exist with another password.</p></p>